

THE ULTIMATE OUTBOARD MOTOR

2021 SUZUKI GENUINE MARINE PARTS AND ACCESSORIES

2021 SUZUKI GENUINE MARINE PARTS AND ACCESSORIES



Please read your Owner's Manual carefully. Remember, boating and alcohol or other drugs don't mix. Always wear a personal flotation device when boating. Please operate your outboard safely and responsibly.

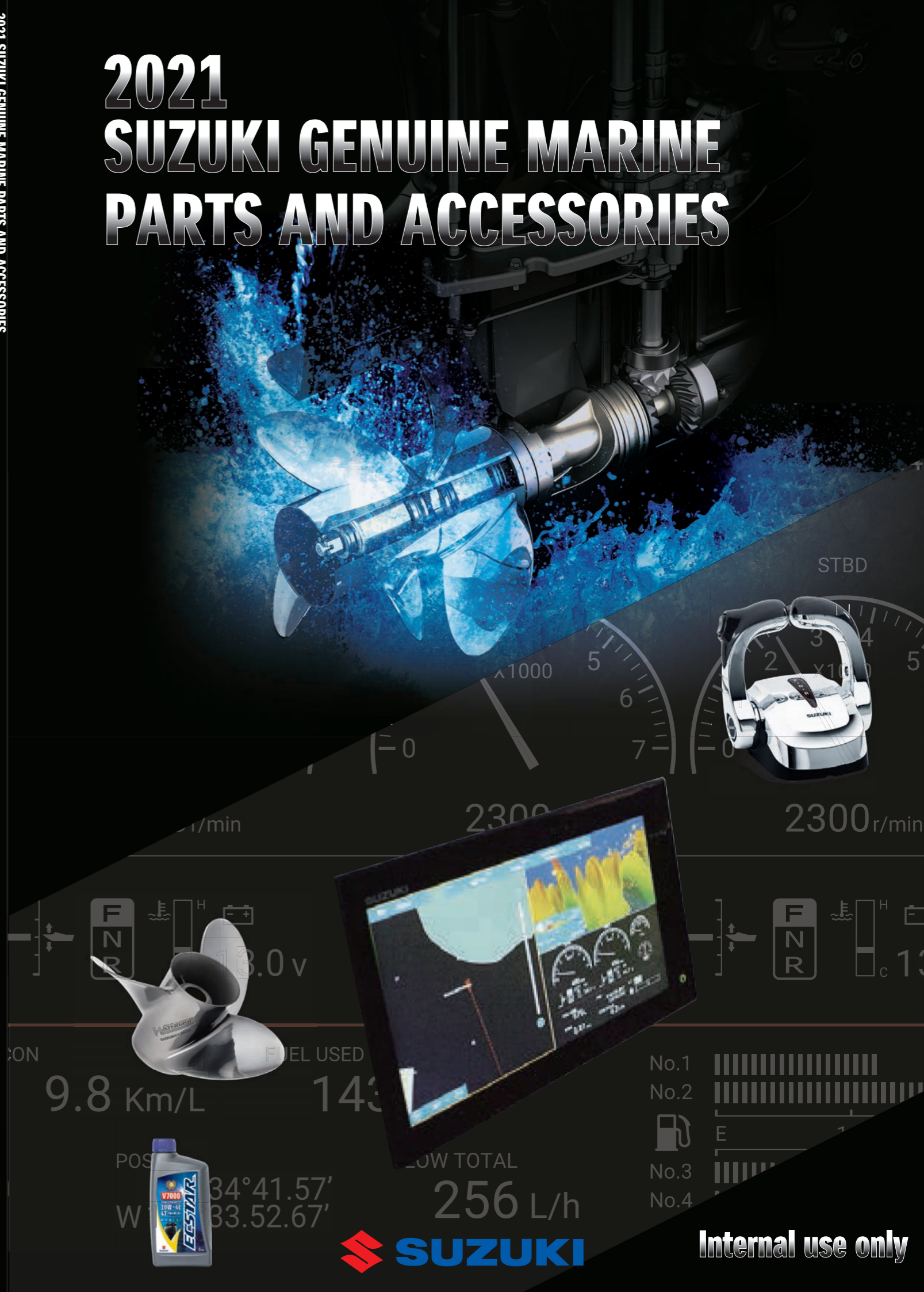
Suzuki encourages you to operate your boat safely and with respect for the marine environment.

Specifications, appearances, equipment, colors, materials and other items of "SUZUKI" products shown in this catalog are subject to change by manufacturers at any time without notice and they may vary depending on local conditions or requirements. Some models are not available in some territories. Each model might be discontinued without notice. Please enquire at your local dealer for details of any such changes. Actual body color might differ from the colors in this brochure.



300 TAKATSUKA-CHO, MINAMI-KU, HAMAMATSU-SHI, SHIZUOKA 432-8611 JAPAN
www.globalsuzuki.com

2021 SUZUKI GENUINE MARINE P & A
99000-48GD0-210



Internal use only

Dear Suzuki Dealer

Quality. Dependability. Innovation. Everything that you expect from your outboard motors is delivered with style by SUZUKI.

Demand no less from the products that you choose to enhance your total boating pleasure.

Demand Suzuki Genuine Marine Parts and Accessories.

This catalogue represents our commitment to provide you with the finest products available.

From our classic line of matching instruments and gauges to our custom-engineered propellers and rigging items, you can depend on Suzuki Genuine Marine Parts & Accessories for optimum performance.

Take a few minutes to browse through this catalogue, and then be sure to contact your AUTHORIZED SUZUKI DISTRIBUTORS for further information.

Thank you.

SUZUKI MOTOR CORPORATION

INDEX

OPERATION SYSTEMS (04-59)

- 04 SUZUKI MULTI-FUNCTION DISPLAY (SMD)
- 22 SUZUKI MULTI-FUNCTION GAUGE (SMG4)
- 31 SUZUKI DIAGNOSTIC MOBILE APP
- 32 SUZUKI KEYLESS START SYSTEM
- 36 ANALOGUE INSTRUMENT
- 38 SUZUKI PRECISION CONTROL (SPC)
- 46 MECHANICAL REMOTE CONTROL
- 50 COMPONENT OF MECHANICAL REMOTE CONTROL
- 54 STEERING
- 56 ELECTRICAL PARTS
- 58 FUEL SYSTEM

SUZUKI PROPELLERS (60-63)

- 60 WATERGRIP
- 62 PROPELLER LINE-UP

MAINTAINING YOUR SUZUKI (64-69)

- 64 ECSTAR
- 66 CARE & MAINTENANCE ITEM
- 68 MAINTENANCE KITS

APPLICATION CHART (70-71)

RECOMMENDED STEERING KITS (72-75)



SUZUKI MULTI - FUNCTION DISPLAY (SMD)



ULTIMATE CONNECTIVITY

Never compromise on quality and customer satisfaction - We endeavor every day to bring you reliable, high quality products with latest technology to accompany you on every voyage.

HERE!

You can find your most pleasurable boating experience with our SUZUKI MULTI-FUNCTION DISPLAY (SMD). SMD is designed to allow you to access to all your Suzuki engine information and other utility functions with a single touch!

NOW!

Enjoy your true boating comfort with our SMD!



PRODUCT LINE-UP



SMD16



SMD9



SMD12



SMD7

KEY FEATURES

- ✓ Intuitive, easy, smooth operation with an entire multi touch screen interface. Total control at your fingertips
- ✓ Bonded all-glass LCD, sunlight viewable screen with impressive brightness, and a luxurious look
- ✓ Ease of operation with all Suzuki engine information integrated on one display
- ✓ All latest and unique technologies such as TruEcho Chirp™, Accu-Fish™, RezBoost™ combined in one display provide you the most exciting fishing experience*

* Requires FURUNO transducer to utilize the built-in fish finder. Please contact your nearest FURUNO dealers for further information.

WHAT'S NEW!

SUZUKI GENUINE FUEL TANK ADAPTER

The genuine fuel tank adapter is designed to be compatible with SMD



APPLICABLE MODELS : DF9.9B-DF350A

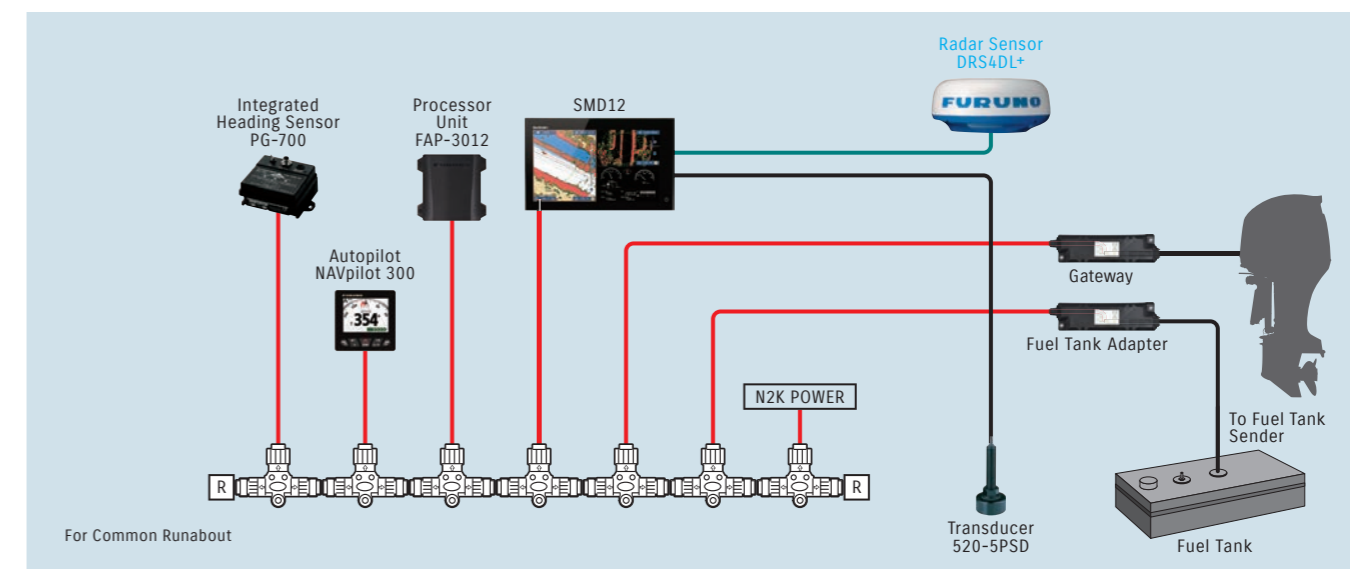
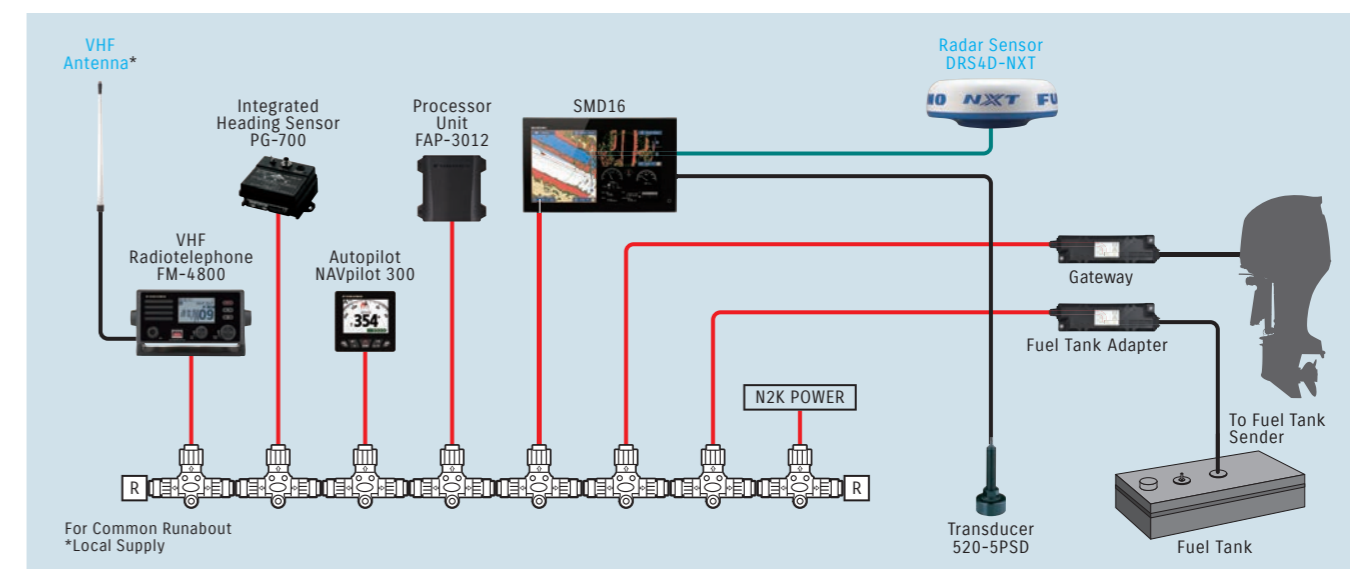
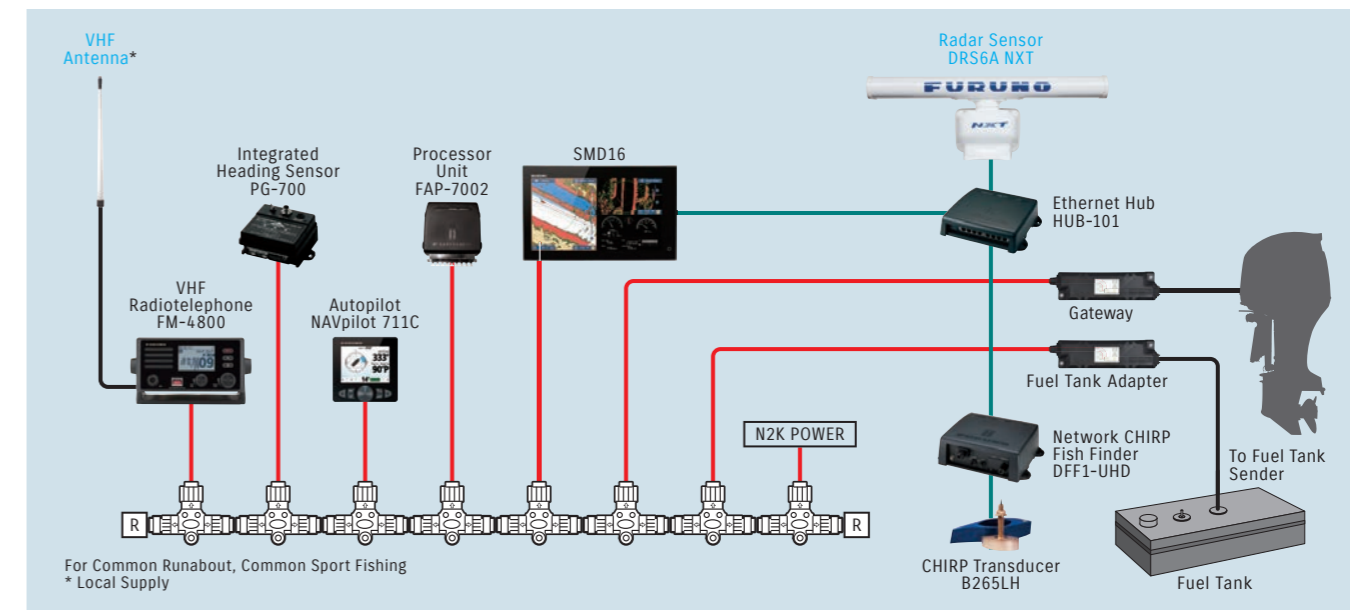
FEATURES

- ✓ Possible to connect to 4 tank senders
- ✓ Initial configuration is available on SMD
- ✓ Fuel tank senders are compatible with 3 specifications: EU, US, and Custom

SMD NETWORK RECOMMENDATIONS

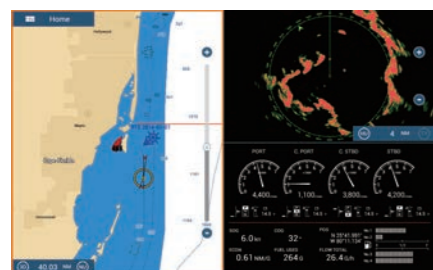
Product suggestion only - Not an installation diagram. Please contact your local Authorized Suzuki Distributors for more details.

— NMEA2000 — Ethernet — Other — NMEA2000 T Connector



SMD16 & SMD12

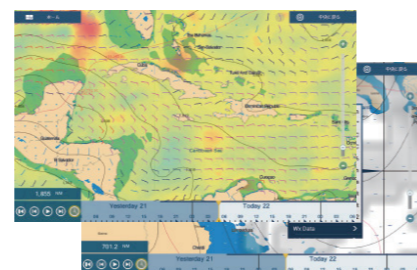
Design Your Own Screen



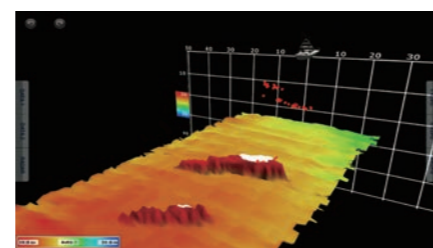
Suzuki Engine Interface



Marine Weather Forecast



Integrated FISH-FINDER*

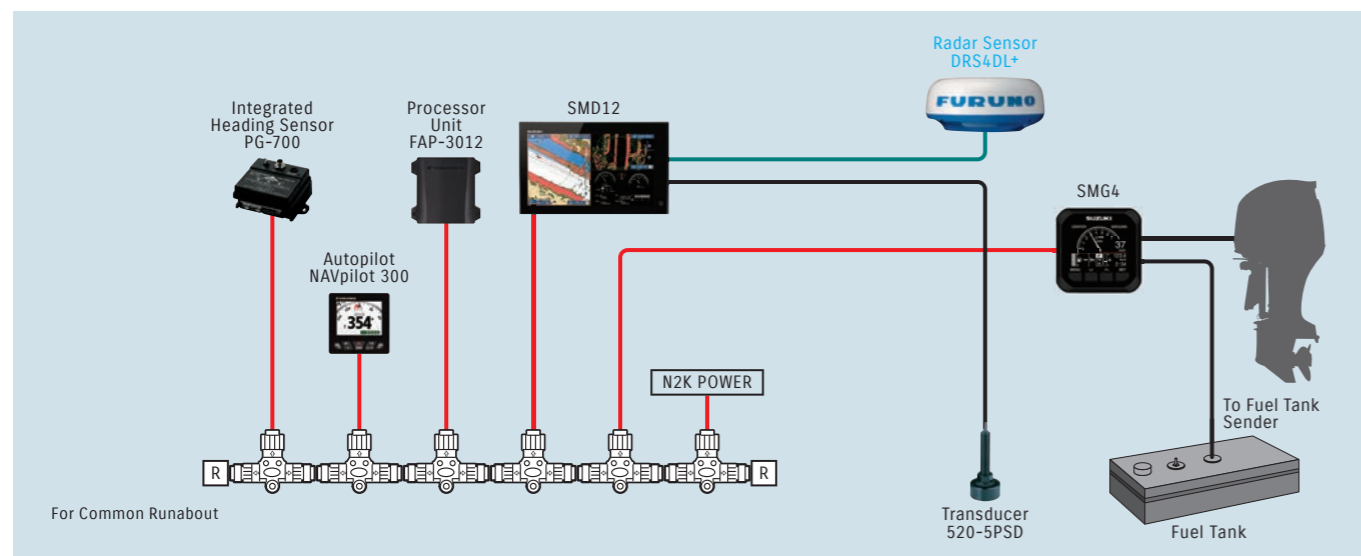
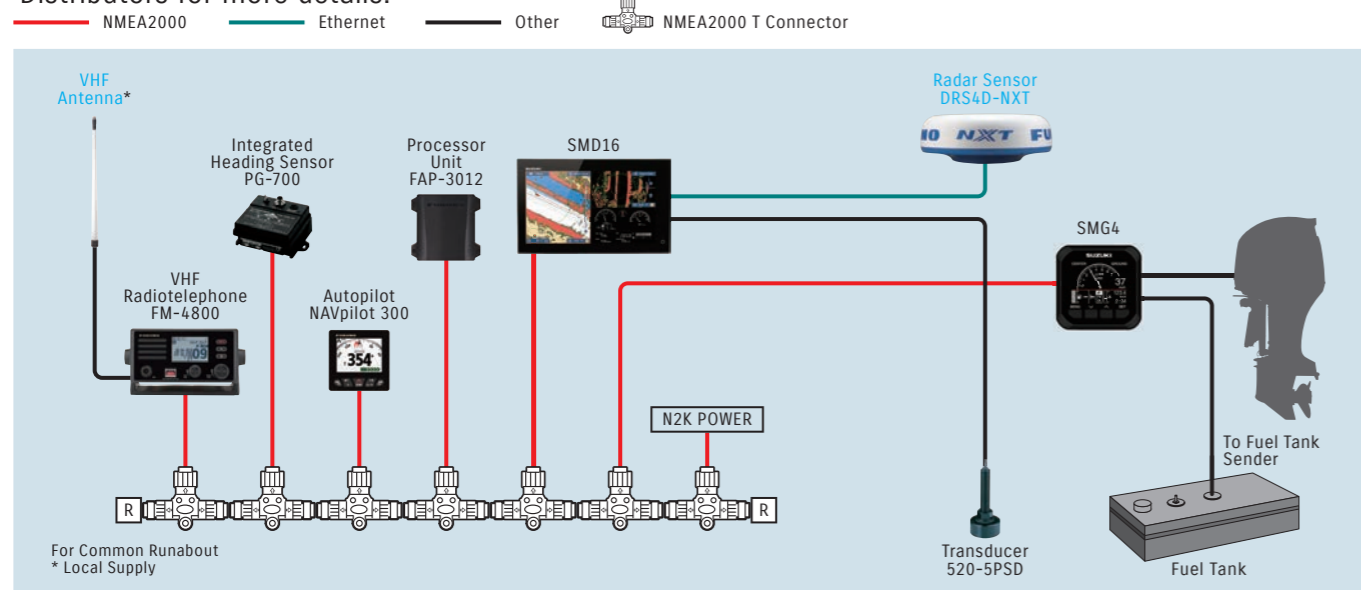


Multi Beam Sonar*

* Requires FURUNO transducer to utilize this feature. Please contact to local FURUNO Dealers for more details.

SMD NETWORK RECOMMENDATIONS In case of installing SMG4

Product suggestion only - Not an installation diagram. Please contact your local Authorized Suzuki Distributors for more details.



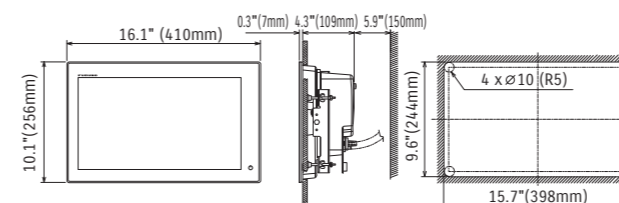
SMD16 AND SMD12 SPECIFICATIONS

MULTI-FUNCTION DISPLAY		SMD16	SMD12
DISPLAY UNIT			
Type	Color TFT Multi Touch LCD		
Screen Size	15.6" (396.2mm) Wide	12.1" (307.3mm) Wide	
Screen Resolution	FWXGA 1366 x 768 pixels	WXGA 1280 x 800 pixels	
Screen Brightness	1000 cd/m ² (typical)	1300 cd/m ² (typical)	
Language	Chinese (simplified Chinese Characters), Danish, English (US & UK), Finnish, French, German, Greek, Italian, Japanese, Norwegian, Portuguese, Russian, Spanish, Swedish		
Display Modes	GPS/WAAS/RADAR: Course plot, NAV data, Radar Chart Overlay, Head-up, North-up (heading data required), Fish Finder: ACCU-FISH™, A-scope, Auto (Fishing/ Cruising), Bottom Discrimination, Others: Weather Forecast, Digital switching, Marine Audio		
Memory Capacity	30,000 user points, 30,000 points for ship's tracks, 200 planned routes (500 points per route)		
GPS/WAAS			
Receiver Type	GPS	56 channels	
	SBAS	1 channel (C/A mode, WAAS)	
Receiving Frequency	L1 (1575.42 MHz)		
Time to First FIX	100 s (cold start)		
Tracking Velocity	999 kn		
SBAS	WAAS, EGNOS, MSAS		
ACCURACY			
Internal Antenna	GPS	10 m Max	
	WAAS	3 m Max	
	MSAS	7 m Max	
CHART PLOTTER			
Cartography	MapMedia mm3d chart (C-MAP/Navionics/NOAA)		
Alarms	Anchor Watch, XTE, Proximity, Depth, Temperature, Speed, etc.		
RADAR			
Display Modes	Head-up, North-up* *Heading input required.		
Target Tracking**	30 Targets* *Heading input required.		
FISH FINDER (Built-in)			
Transmit Frequency	50/200 kHz		
Transducer	600 W or 1 kW* *Matching Box MB-1100 required for some specific FURUNO transducers		
Modes	RezBoost™, ACCU-FISH™, Bottom Discrimination, A-Scope, Auto (Fishing/Cruising), Manual, Bottom Zoom, Bottom Lock		
INTERFACE			
NMEA2000	1 Port		
Interface NMEA2000	Input	059392, 059904, 061184, 060928, 065280, 126208, 126720, 126992/996, 127237/245/250/251/257/258/488/489/505, 128259/267, 129025/026/029/033/038/039/040/041/291/538/540, 129793/794/798/808/809/810, 130306/310/311/312/313/314/316/577/578/817/818/820/822/823/826/827/828/880	
	Output	126992/127250/127251/127257/127258/128259/128267/128275/129025/129026/129029/129033/129283/129284/129285/130306/130310/130312/130313/130314/130316	
NMEA0183	1 Integrated Output Port		
Interface (NMEA0183)	Output	AAM, APB, BOD, DBT, DPT, GGA, GLL, GNS, GSA, GSV, RMB, RMC, RTE, TLL, TTM, VTG, WPL, XTE, ZDA	
LAN	1 Port (100BASE-TX)		
USB	1 Port (USB2.0)		
Video Output	1 Port (HDMI)		
Video Input	2 Ports (NTSC/PAL)		
AUX I/O	1 Port (External Event/MOB Input/Operator Fitness/Alarm Output)		
SD Card Slot	1 Slot (Micro SDXC, rear), 2 Slots Card Unit (optional)		
Wireless LAN	IEEE802.11b/g/n, Transmit frequency: 2.4 GHz band		
ENVIRONMENT			
Temperature (IEC60945)	-15°C to +55°C		
Waterproofing	IP56		
POWER			
	12-24 VDC		
	3.6-1.8 A		3.0-1.5 A

** Not available with DRS4DL

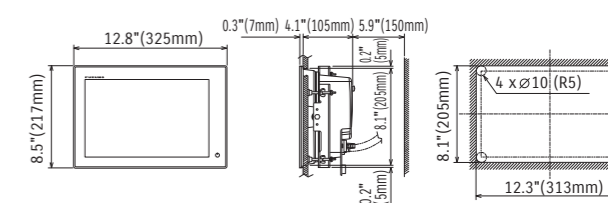
SMD16 Display Unit

10.6lb (4.9kg)



SMD12 Display Unit

8.2lb (3.7kg)





SMD9 & SMD7

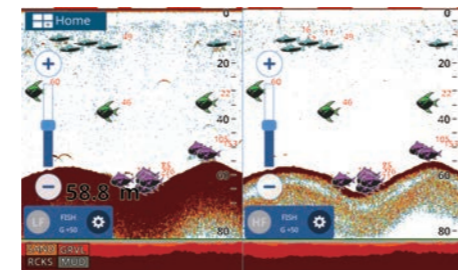
Design Your Own Screen



Suzuki Engine Interface



Detailed Chart With C-MAP 4D Compatibility



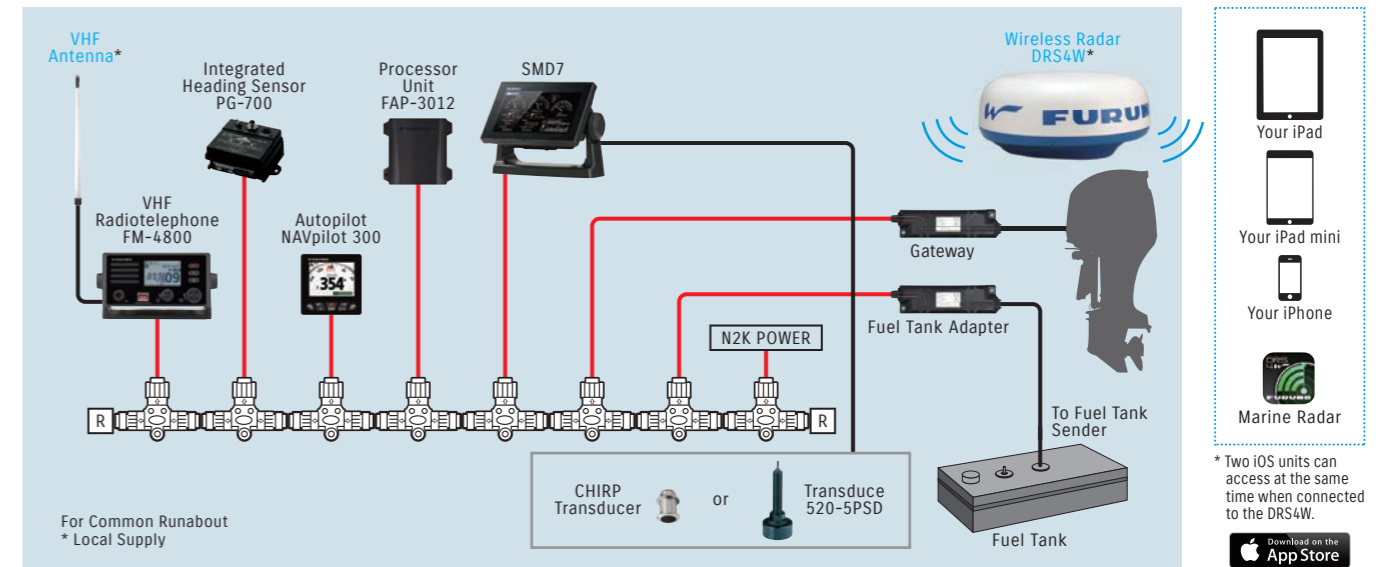
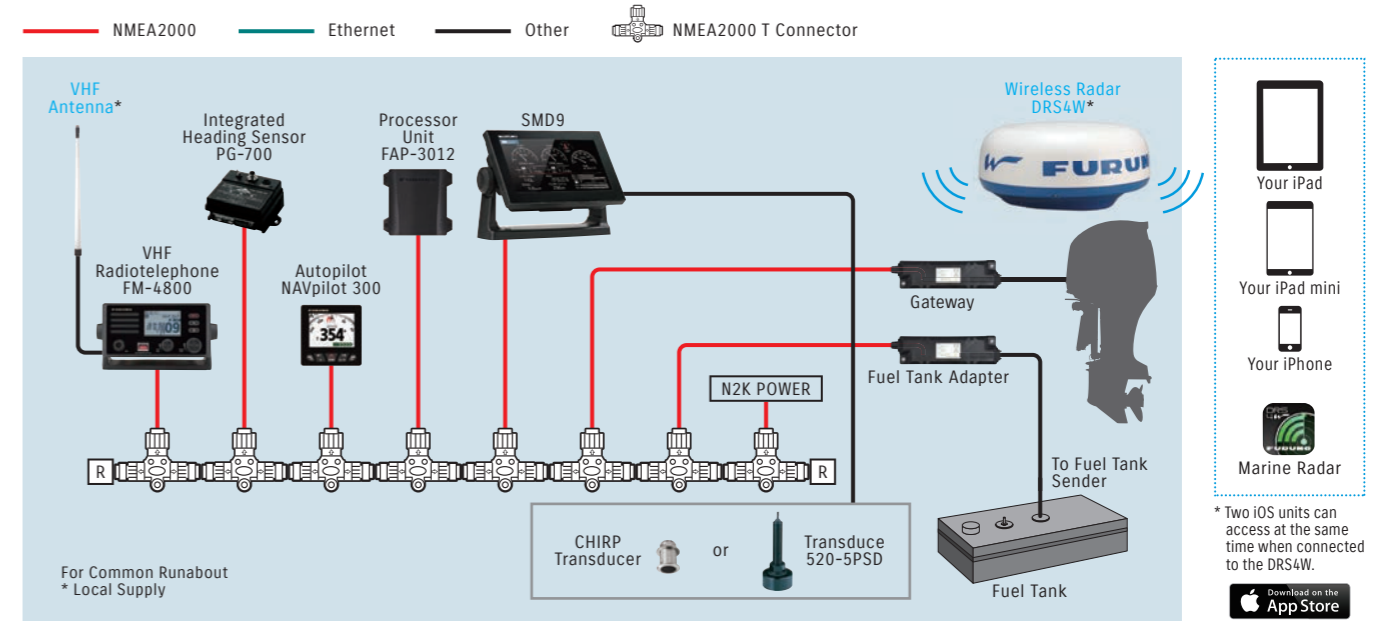
Advanced Reliable Fishing Partner-FISH FINDER*

* Requires FURUNO transducer to utilize this feature. Please contact to local FURUNO Dealers for more details.

SMD NETWORK RECOMMENDATIONS

THE **ULTIMATE**
OUTBOARD MOTOR

Product suggestion only - Not an installation diagram. Please contact your local Authorized Suzuki Distributors for more details.



OPERATION SYSTEMS

SUZUKI MULTI - FUNCTION DISPLAY (SMD)

WHAT'S NEW!

NEW WIRELESS SOLUTION - MIRROR CONTROL APP 2 WAY COMMUNICATION!

Combination with iOS/Android device increases the controllable station via Wireless LAN

The following App supports the mirror control of SMD7/9 over an iOS/Android device



App : Mirror Control (free of charge)
Seller : AvMap srl

For iOS (App Store)

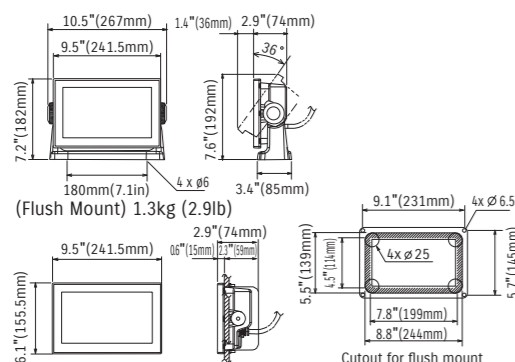
For Android (Google Play)



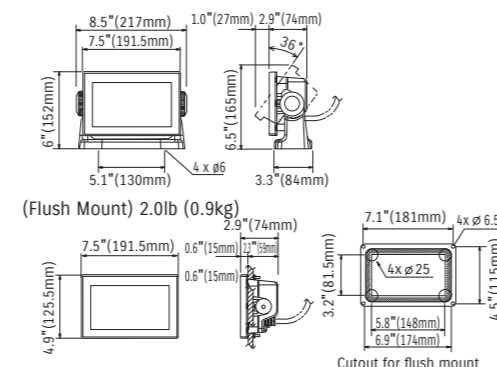
SMD9 AND SMD7 SPECIFICATIONS

MULTI-FUNCTION DISPLAY		SMD9	SMD7
DISPLAY UNIT			
Type	Color TFT Multi Touch LCD		
Screen Size	9" (228.6mm) Wide		7" (177.8mm) Wide
Screen Resolution	WVGA 800 x 480 pixels		
Screen Brightness	1000 cd/m ² (typical)		
Language	English (US & UK), Russian, Bulgarian, French, Spanish, German, Italian, Portuguese, Danish, Swedish, Norwegian, Finnish, Greek, Japanese		
Display Modes	Chart Plotter, Fish Finder, Radar*, AIS*, Instruments* ³ (Nav Data, Engine, Wind, Fuel tank, Autopilot*, etc.), GPS status, Weather Forecast *1: Connection to the 1st Watch Wireless Radar DRS4W required *2: Connection to AIS sensor required *3: Connection to external sensors required *4: Connection to the FURUNO NAVPilot-300 required		
Memory Capacity	30,000 points for ship's track and waypoints 1,000 planned routes (Max. 50 points per route) 5,000 quickpoints		
GPS/WAAS			
Receiver Type	GPS	72 channels	
	SBAS	1 channel (C/A mode, WAAS)	
Receiving Frequency	L1 (1575.42 MHz)		
Time to First FIX	100 s (cold start)		
Tracking Velocity	999 kn		
SBAS	WAAS, EGNOS, MSAS		
ACCURACY			
Internal Antenna	GPS	10 m Max	
	WAAS	5 m Max	
	MSAS	7.5 m Max	
CHART PLOTTER			
Cartography	C-MAP 4D		
Alarms	Anchor, Depth, Arrival, Speed, Trip, Temperature, etc		
RADAR			
Display Modes	Head-up, North-up* *Heading input required.		
FISH FINDER (Built-in)			
Transmit Frequency	CW: 50/200 kHz, CHIRP: 40 to 225 kHz		
Transducer	300 W or 600 W or 1 kW* (Transducer dependent)*Matching Box MB-1100 required for some specific FURUNO transducers		
Modes	TrueEcho CHIRP™, RezBoost™, ACCU-FISH™, Bottom Discrimination™, Auto gain (Fishing/Cruising), Manual gain, A-Scope, Marker Zoom, Bottom Zoom, Bottom Lock* CHIRP dedicated transducer required. ** Dual frequency compatible transducer required.		
INTERFACE			
NMEA2000	1 Port		
Interface NMEA2000	Input	126992, 127245/250/251/258/489/493/497/505, 128259/267/275, 129025/026/029/038/039/040/041/285/538/540, 129793/794/798/808/809/810, 130306/310/311/312/313/314/316, 130577/830/831/832/880	
	Output	126992, 127245/250/251/257/258/505, 128259/267/275, 129025/026/029/033/283/284/285, 130310/312/316/830/831/832	
NMEA0183	1 Port		
Interface (NMEA0183)	Output	AAM, APB, BOD, BWR, DBT, DPT, GGA, GLL, GNS, GSA, GSV, GTD, HDG, HDT, MTW, MWV, RMA, RMB, RMC, RTE, THS, TLL, VHW, VTG, WPL, XTE, ZDA, PFEC (SDmrk/SDtbd/SDtft/pidat)	
SD Card Slot	2 Slots, up to 32 GB (SD, SDHC Supported)		
Wireless LAN	IEEE 802.11 b/g/n		
ENVIRONMENT			
Temperature (IEC60945)	-15°C to +55°C		
Waterproofing	IP56		
POWER			
	12-24 VDC		
	1.0-0.5 A		

SMD9 Display Unit
(Bracket Mount) 3.3lb (1.5kg)



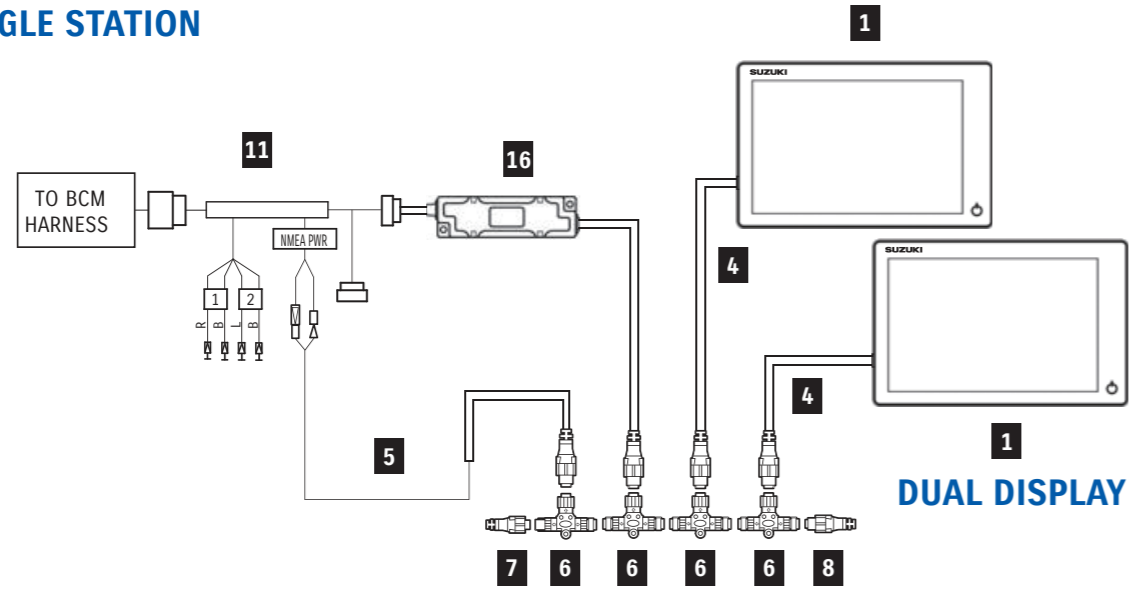
SMD7 Display Unit
(Bracket Mount) 2.4lb (1.1kg)



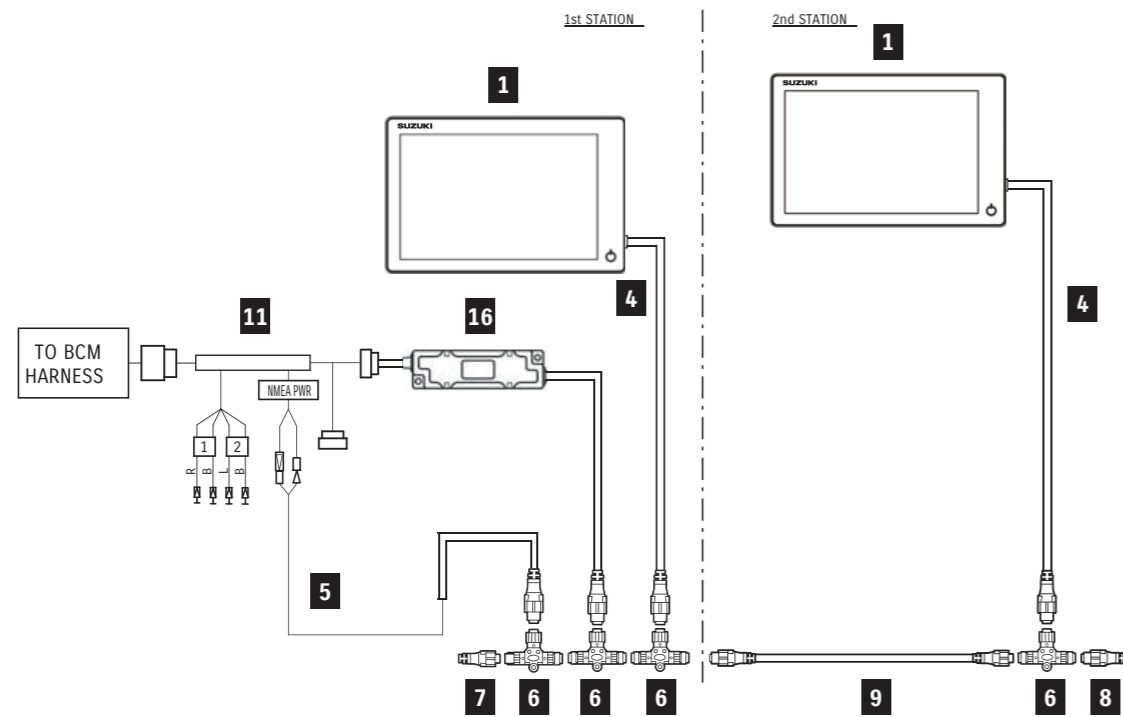
INSTALLATION DIAGRAM

SUZUKI PRECISION CONTROL (SPC)* & SINGLE ENGINE

SINGLE STATION

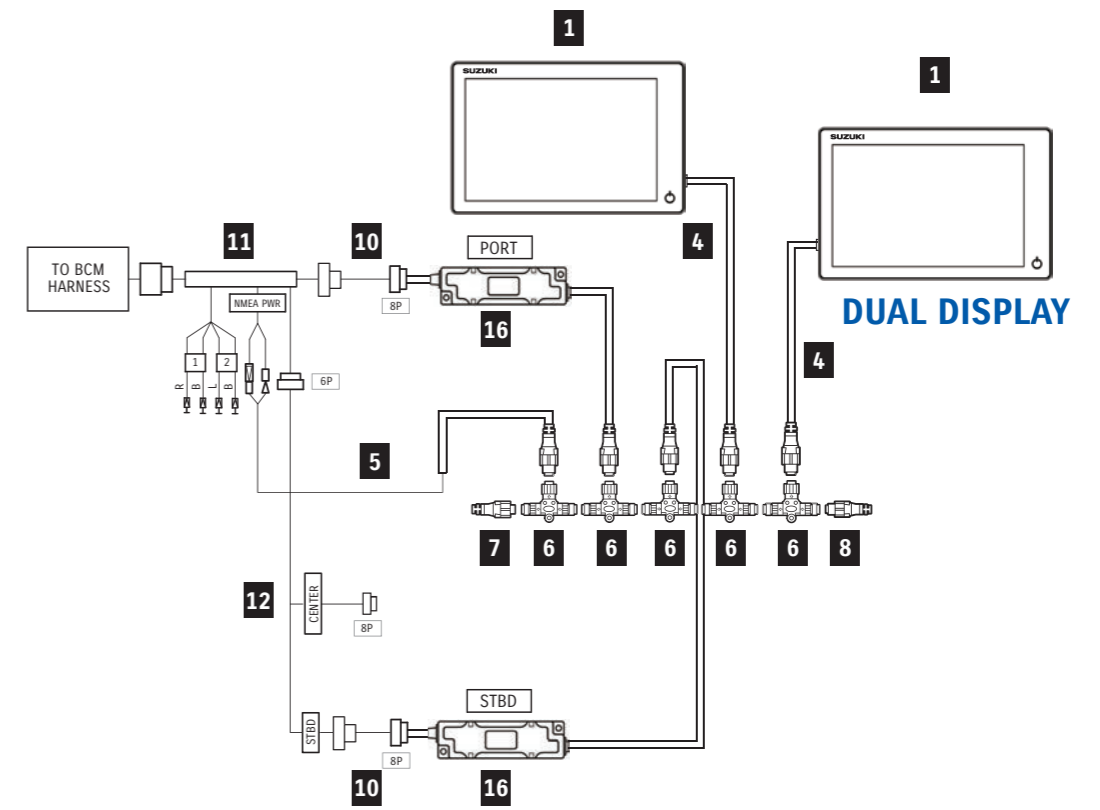


DUAL STATION

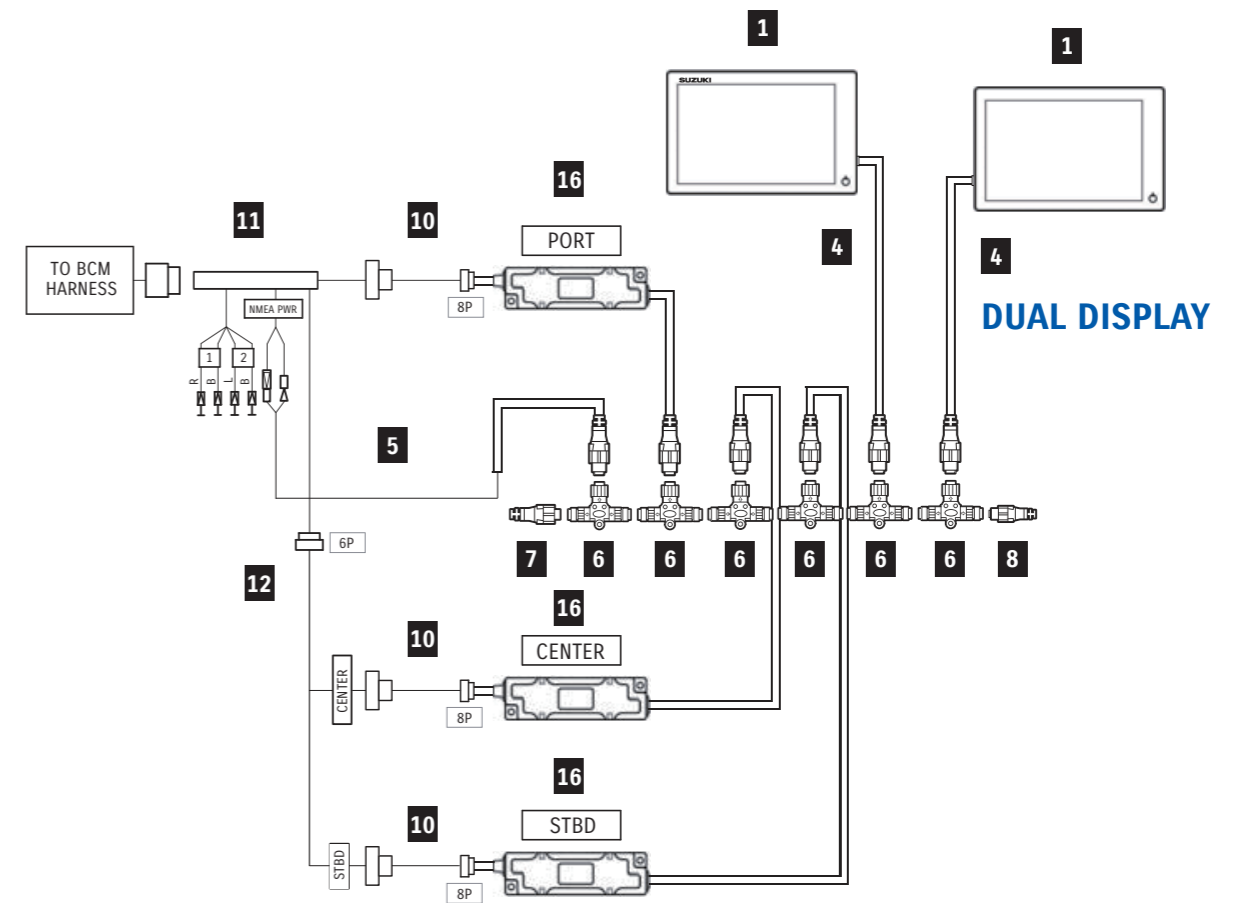


*SPC : SUZUKI PRECISION CONTROL

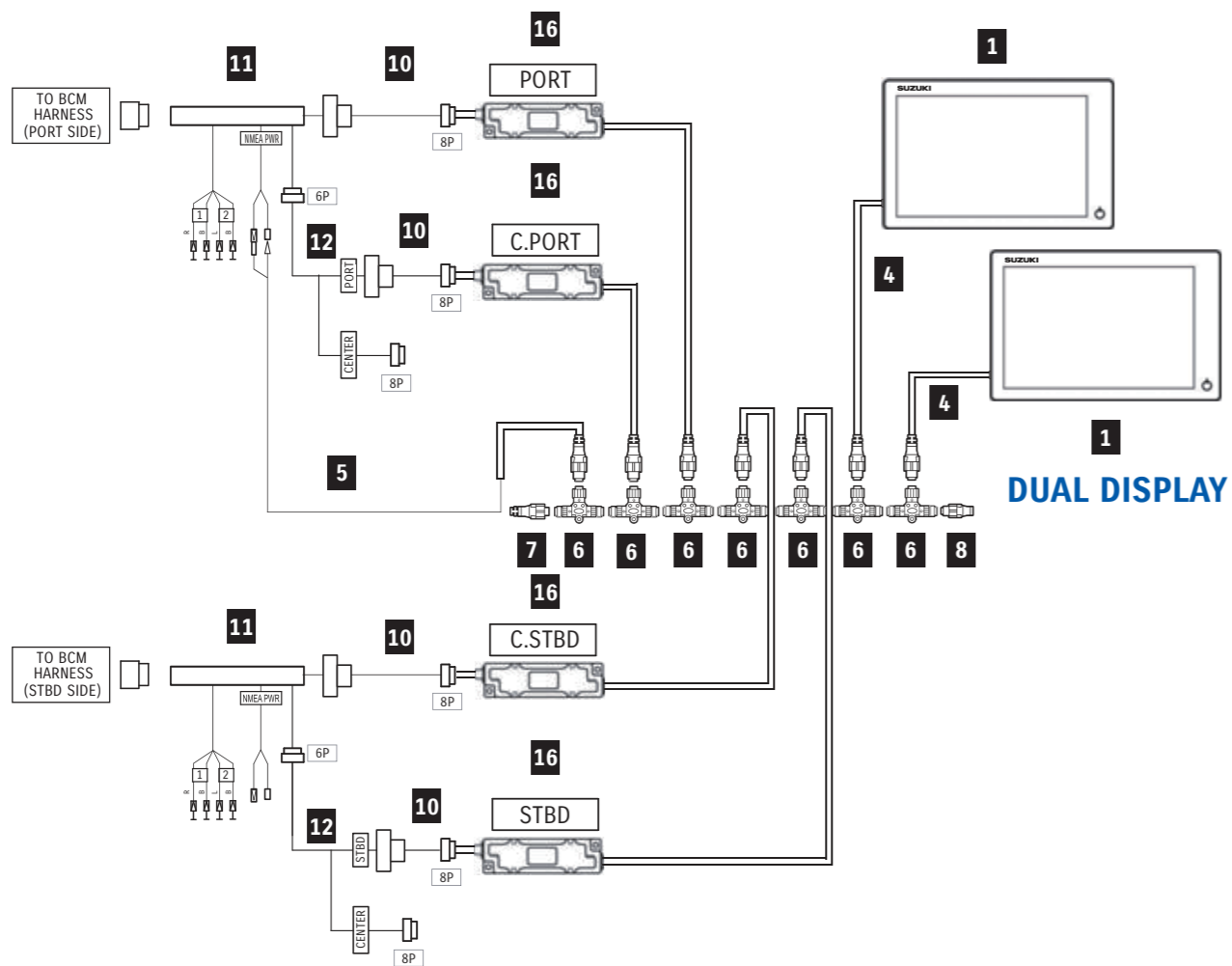
SPC & DUAL ENGINE



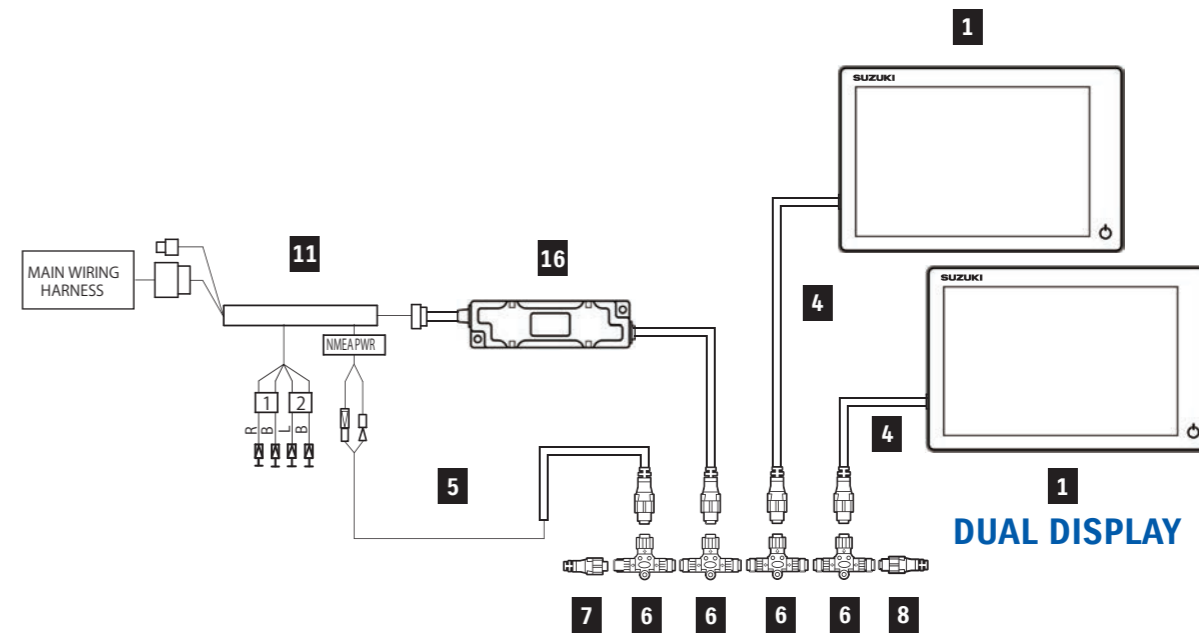
SPC & TRIPLE ENGINE



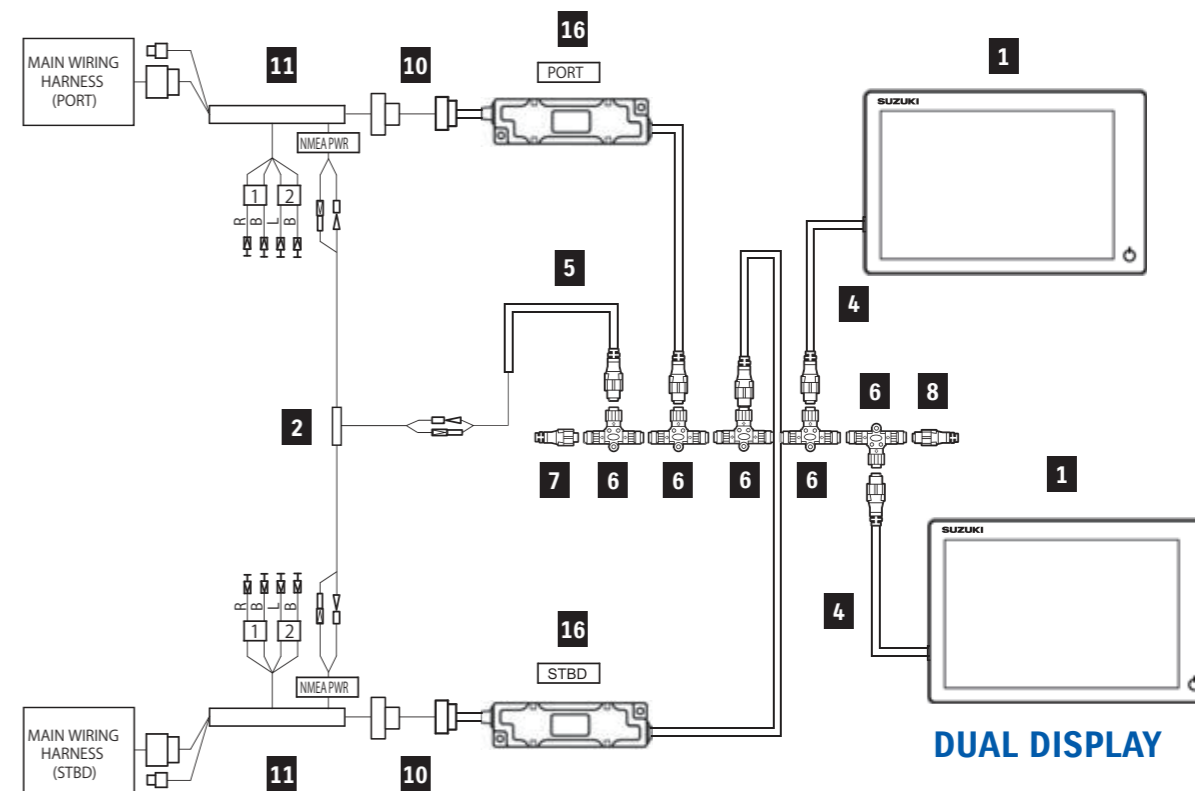
SPC & QUADRUPLE ENGINE



MECHANICAL CONTROL & SINGLE ENGINE

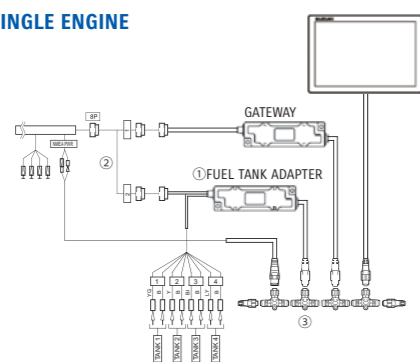


MECHANICAL CONTROL & DUAL ENGINE

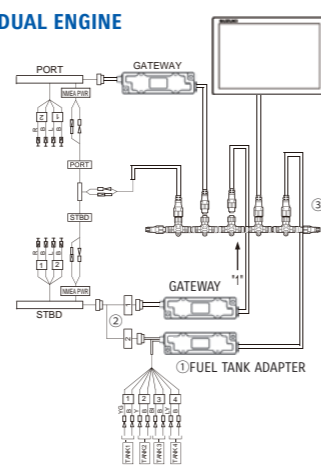


INSTALLATION DIAGRAM FOR FUEL TANK ADAPTER

SINGLE ENGINE



DUAL ENGINE



No.	Part Number	Part Name	Qty
①	34923-96L10-000	FUEL TANK ADAPTER	1
②	36667-96L11-000	WIRE COMP, DUAL GAUGE ADAPTER	1
③	36664-88L00-000	CONNECTOR COMP, BRANCH	1

* Please be noted that these above diagrams are references. Wire Comp, Dual Gauge Adapter 36667-96L11-000 is required in case of installing a genuine Fuel Tank Adapter for Mechanical System (Single, Dual), SPC System (Single, Triple). For more details please refer to Installation Manual.

COMPONENT PARTS



Component Parts	OPERATION MANUAL LANGUAGE		
	I	II	III
PART NAME	PART NUMBER(*)		
SET, MULTI DISPLAY 7	34901-98L01-000	34901-98L21-000	34901-98L41-000
SET, MULTI DISPLAY 9	34901-98L11-000	34901-98L31-000	34901-98L51-000
1 DISPLAY ASSY, MULTI 7	34900-98L01-000	34902-98L01-000	34902-98L41-000
1 DISPLAY ASSY, MULTI 9	34900-98L11-000	34902-98L11-000	34902-98L51-000
1 DISPLAY ASSY, MULTI 12	34900-98L21-000	34902-98L21-000	34902-98L61-000
1 DISPLAY ASSY, MULTI 16	34900-98L31-000	34902-98L31-000	34902-98L71-000
2 ADAPTER, GAUGE FOR MULTI	36665-87L10-000 (For MECHANICAL CONTROL & DUAL ENGINE)		
4 WIRE COMP, EXTENSION 0.6m	36662-88L10-000		
HARNESS ASSY, NETWORK POWER	36663-88L20-000*		
5 HARNESS ASSY, NETWORK POWER WITH CONNECTOR BRANCH	36663-88L00-000		
6 CONNECTOR COMP, BRANCH	36664-88L00-000		
7 UNIT COMP, RESISTOR FEMALE	36665-88L00-000		
8 UNIT COMP, RESISTOR MALE	36665-88L10-000		
9 WIRE COMP, EXTENSION 4.7m	36662-88L30-000		
9 WIRE COMP, EXTENSION 7.6m	36662-88L00-000		
10 WIRE, GAUGE EXT (OPTION)	36667-96L20-000		
11 ADAPTER COMP, GAUGE	36661-96L30-000 (For MECHANICAL CONTROL) 36661-96L20-000 (For SPC)		
12 WIRE COMP, GAUGE ADAPTER	36667-96L00-000		
16 UNIT COMP, GATEWAY	34923-96L01-000		

Operation Manual Language
 I * Electronic version: English
 II * Paper version: English; French; Italian; Spanish
 III * Paper version: English, Spanish, French, Italian, German, Swedish, Finnish, Norwegian, Greek

* Supply part number is 36663-88L00-000
 (*) The sales are limited to the three areas and the part number is also different among those areas as mentioned above.
 Please contact your country coordinator at SMC for further details.

KIT COMPONENT

SMD7, SMD9 KIT COMPONENT

	PART NAME	KIT COMPONENT QUANTITY	
		SET, MULTI DISPLAY 7	SET, MULTI DISPLAY 9
1	DISPLAY ASSY, MULTI 7	1	-
	DISPLAY ASSY, MULTI 9	-	1
4	WIRE COMP, EXTENSION	1	1
5	HARNESS ASSY, NETWORK POWER	1	1
6	CONNECTOR COMP, BRANCH	3	3
7	UNIT COMP, RESISTOR FEMALE	1	1
8	UNIT COMP, RESISTOR MALE	1	1
16	UNIT COMP, GATEWAY	1	1

TOTAL REQUIREMENT LIST

SPC & SINGLE ENGINE

PART NAME	Total Required Quantity					
	12/16 Display	12/16 Display Dual Display	12/16 Display Dual Station	7/9 Display	7/9 Display Dual Display	7/9 Display Dual Station*
SET, MULTI FUNCTION DISPLAY 7/9	-	-	-	1	1	1
1 DISPLAY ASSY, MULTI 7/9	-	-	-	-	1	1
1 DISPLAY ASSY, MULTI 12/16	1	2	2	-	-	-
4 WIRE COMP, EXTENSION	-	-	-	-	1	1
5 HARNESS ASSY, NETWORK POWER WITH CONNECTOR BRANCH	1	1	1	-	-	-
6 CONNECTOR COMP, BRANCH	2	3	3	1	1	1
7 UNIT COMP, RESISTOR FEMALE	1	1	-	-	-	-
8 UNIT COMP, RESISTOR MALE	1	1	-	-	-	-
9 WIRE COMP, EXTENSION	-	-	1	-	-	1
11 ADAPTER COMP, GAUGE	1	1	1	1	1	1
16 UNIT COMP, GATEWAY	1	1	1	-	-	-

SPC & DUAL ENGINE

PART NAME	Total Required Quantity			
	12/16 Display	12/16 Display Dual Display	7/9 Display	7/9 Display Dual Display
SET, MULTI FUNCTION DISPLAY 7/9	-	-	1	1
1 DISPLAY ASSY, MULTI 7/9	-	-	-	1
1 DISPLAY ASSY, MULTI 12/16	1	2	-	-
4 WIRE COMP, EXTENSION	-	-	-	1
5 HARNESS ASSY, NETWORK POWER WITH CONNECTOR BRANCH	1	1	-	-
6 CONNECTOR COMP, BRANCH	3	4	1	2
7 UNIT COMP, RESISTOR FEMALE	1	1	-	-
8 UNIT COMP, RESISTOR MALE	1	1	-	-
10 WIRE, GAUGE EXT (OPTION)	2	2	2	2
11 ADAPTER COMP, GAUGE	1	1	1	1
12 WIRE COMP, GAUGE ADAPTER	1	1	1	1
16 UNIT COMP, GATEWAY	2	2	1	1

SPC & TRIPLE ENGINE

PART NAME	Total Required Quantity			
	12/16 Display	12/16 Display Dual Display	7/9 Display	7/9 Display Dual Display
SET, MULTI FUNCTION DISPLAY 7/9	-	-	1	1
1 DISPLAY ASSY, MULTI 7/9	-	-	-	1
1 DISPLAY ASSY, MULTI 12/16	1	2	-	-
4 WIRE COMP, EXTENSION	-	-	-	1
5 HARNESS ASSY, NETWORK POWER WITH CONNECTOR BRANCH	1	1	-	-
6 CONNECTOR COMP, BRANCH	4	5	2	3
7 UNIT COMP, RESISTOR FEMALE	1	1	-	-
8 UNIT COMP, RESISTOR MALE	1	1	-	-
10 WIRE, GAUGE EXT (OPTION)	3	3	3	3
11 ADAPTER COMP, GAUGE	1	1	1	1
12 WIRE COMP, GAUGE ADAPTER	1	1	1	1
16 UNIT COMP, GATEWAY	3	3	2	2

SPC & QUADRUPLE ENGINE

PART NAME	Total Required Quantity			
	12/16 Display	12/16 Display Dual Display	7/9 Display	7/9 Display Dual Display
SET, MULTI FUNCTION DISPLAY 7/9	-	-	1	1
1 DISPLAY ASSY, MULTI 7/9	-	-	-	1
1 DISPLAY ASSY, MULTI 12/16	1	2	-	-
4 WIRE COMP, EXTENSION	-	-	-	1
5 HARNESS ASSY, NETWORK POWER WITH CONNECTOR BRANCH	1	1	-	-
6 CONNECTOR COMP, BRANCH	5	6	3	4
7 UNIT COMP, RESISTOR FEMALE	1	1	-	-
8 UNIT COMP, RESISTOR MALE	1	1	-	-
10 WIRE, GAUGE EXT (OPTION)	4	4	4	4
11 ADAPTER COMP, GAUGE	2	2	2	2
12 WIRE COMP, GAUGE ADAPTER	2	2	2	2
16 UNIT COMP, GATEWAY	4	4	3	3

MECHANICAL CONTROL & SINGLE ENGINE

PART NAME	Total Required Quantity			
	12/16 Display	12/16 Display Dual Display	7/9 Display	7/9 Display Dual Display
SET, MULTI FUNCTION DISPLAY 7/9	-	-	1	1
1 DISPLAY ASSY, MULTI 7/9	-	-	-	1
1 DISPLAY ASSY, MULTI 12/16	1	2	-	-
4 WIRE COMP, EXTENSION	-	-	-	1
5 HARNESS ASSY, NETWORK POWER WITH CONNECTOR BRANCH	1	1	-	-
6 CONNECTOR COMP, BRANCH	2	3	-	1
7 UNIT COMP, RESISTOR FEMALE	1	1	-	-
8 UNIT COMP, RESISTOR MALE	1	1	-	-
11 ADAPTER COMP, GAUGE	1	1	1	1
16 UNIT COMP, GATEWAY	1	1	-	-

MECHANICAL CONTROL & DUAL ENGINE

PART NAME	Total Required Quantity			
	12/16 Display	12/16 Display Dual Display	7/9 Display	7/9 Display Dual Display
SET, MULTI FUNCTION DISPLAY 7/9	-	-	1	1
1 DISPLAY ASSY, MULTI 7/9	-	-	-	1
1 DISPLAY ASSY, MULTI 12/16	1	2	-	-
2 ADAPTER, GAUGE FOR MULTI	1	1	1	1
4 WIRE COMP, EXTENSION	-	-	-	1
5 HARNESS ASSY, NETWORK POWER WITH CONNECTOR BRANCH	1	1	-	-
6 CONNECTOR COMP, BRANCH	3	4	1	2
7 UNIT COMP, RESISTOR FEMALE	1	1	-	-
8 UNIT COMP, RESISTOR MALE	1	1	-	-
10 WIRE, GAUGE EXT (OPTION)	2	2	2	2
11 ADAPTER COMP, GAUGE	2	2	2	2
16 UNIT COMP, GATEWAY	2	2	-	-



PRODUCT LINE-UP

ANALOGUE TACHO & SPEED MODE



ANALOGUE SPEED MODE (NIGHT)



ANALOGUE TACHO MODE



DIGITAL TACHO & SPEED MODE



DIGITAL TACHO MODE (NIGHT)



FUEL MODE



SUZUKI MULTI-FUNCTION GAUGE (SMG4)

ALL INFORMATION IN ONE PLACE

This brilliantly simple technology gives you the right information, at the right time, all on one user friendly, highly intuitive screen. You can view a wide range of important information, including engine rpm, speed and trim angle, as well as engine temp and fuel economy in 13 different measurement units, and total fuel flow for multiple engine installations. You'll also receive alerts from the engine's sensors and warning systems.

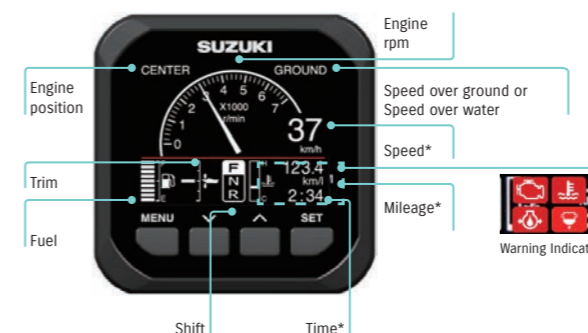
All you need for effortless and relaxing boating, in one simple, reassuring and reliable device.



You can operate your Multi-Function Gauge in either digital or analogue display mode, depending on which you prefer. Plus the day and night settings mean you can use it at literally any time. You can also zoom in on individual elements of the display, making it even easier to use.

KEY FEATURES

ANALOGUE TACHO & SPEED MODE



* Speed sensor or GPS module will be required to display Speed, Mileage, Trip distance, Time information.

TROLL MODEL FUNCTION



Allows you to control your troll mode from the Multi-Function Gauge

This function is available from year 2019 models. Can only be used by models which are adapted to troll mode.

TACHO MODE



- Fuel flow (instantaneous)
- Mileage* (instantaneous and average)
- Trip time, Trip distance*
- Engine hour, Voltage, Water temp and more...

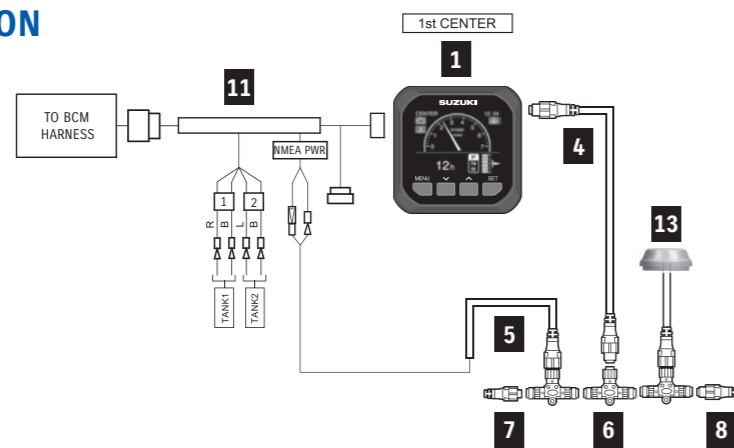
	GPS Module	Speed sensor
Speed	✓	✓ (SOW)
Mileage	✓	✓ (SOW)
Trip distance	✓	✓ (SOW)
Time	✓	N/A

(SOW): Speed over water

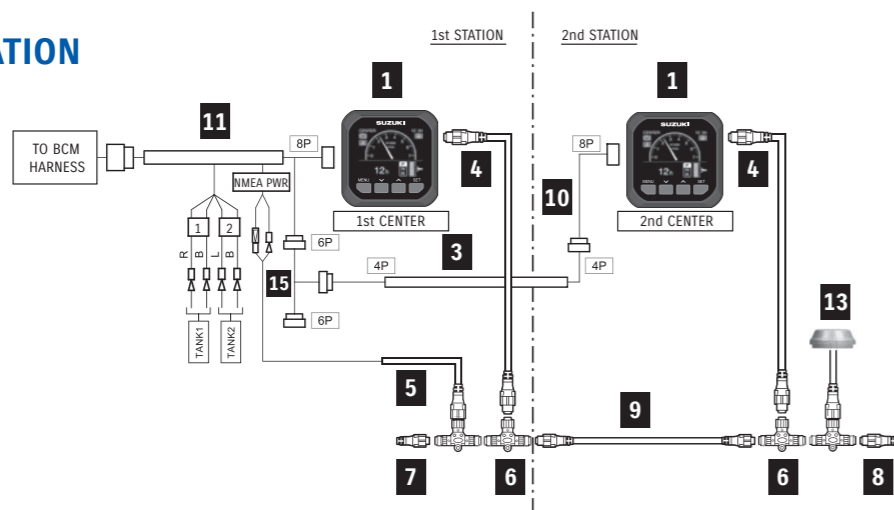
INSTALLATION DIAGRAM

SPC & SINGLE ENGINE

SINGLE STATION



DUAL STATION

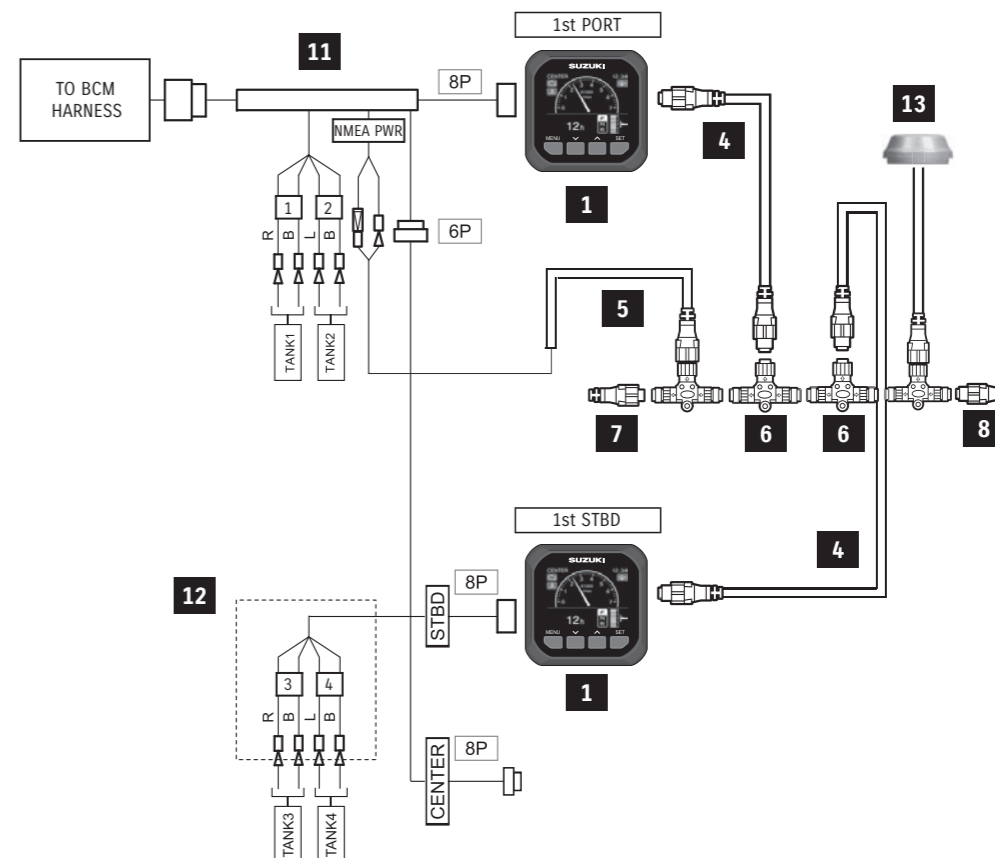


TOTAL REQUIREMENT LIST

For SPC & SINGLE ENGINE		Total Required Quantity					
PART NUMBER	PART NAME	SINGLE STATION	SINGLE STATION (Using Speed over water)	SINGLE STATION (Using Speed over ground)	DUAL STATION	DUAL STATION (Using Speed over water)	DUAL STATION (Using Speed over ground)
34000-96L65-000	GAUGE KIT	1	1	1	1	1	1
36001-88L00-000	CABLE KIT	-	1	1	1	1	1
34002-96L15-000	DUAL STATION KIT	-	-	-	1	1	1
9	36662-88L30-000 36662-88L00-000	-	-	-	1	1	1
13	34190-88L00-000 39950-88L02-000	-	1	-	-	1	-
		-	-	1	-	-	1

KIT COMPONENT				KIT		
PART NUMBER	PART NAME	LENGTH		GAUGE KIT	CABLE KIT	DUAL STATION KIT
				34000-96L65-000	36001-88L00-000	34002-96L15-000
1	34011-96L15-000	-		1	-	1
3	36682-92E00-000	6.4m		-	-	1
4	36662-88L10-000	0.6m		-	1	1
4	36662-88L20-000	1.8m		-	-	-
5	36663-88L00-000	-		-	1	-
6	36664-88L00-000	-		-	1	1
7	36665-88L00-000	-		-	1	-
8	36665-88L10-000	-		-	1	-
9	36662-88L30-000	4.7m		-	-	-
9	36662-88L00-000	7.6m		-	-	-
10	36666-96L00-000	-		-	-	1
11	36661-96L20-000	-		1	-	-
13	34190-88L00-000	-		-	-	-
13	39950-88L02-000	-		-	-	-
15	36665-96L00-000	-		-	-	1

SPC & DUAL ENGINE

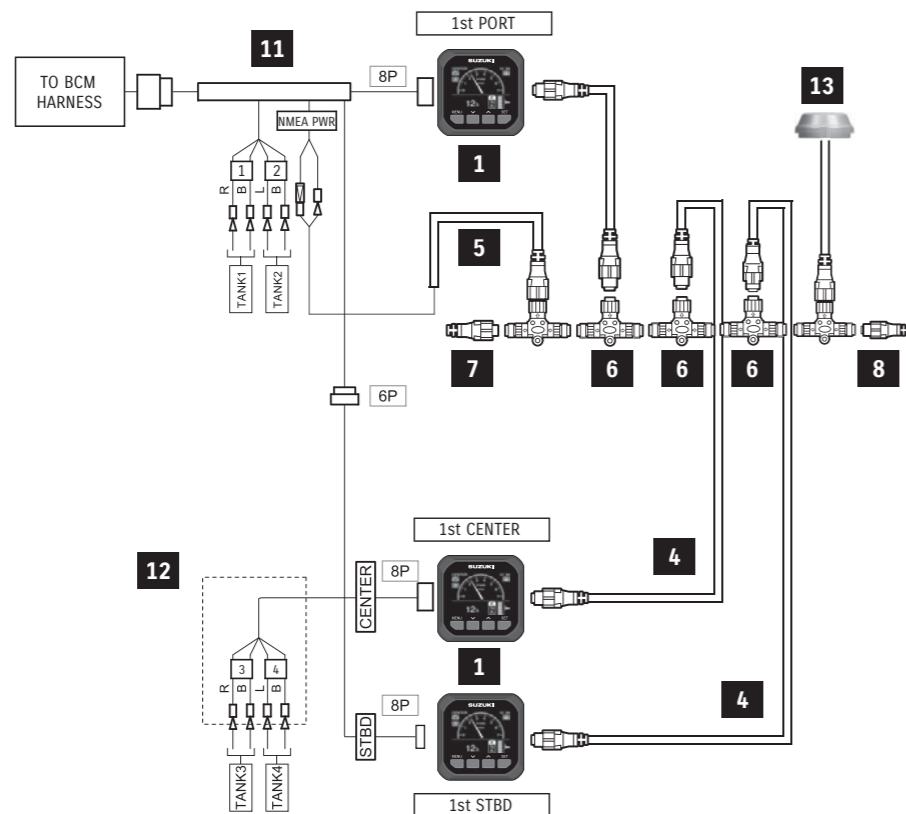


TOTAL REQUIREMENT LIST

For SPC & DUAL ENGINE		Total Required Quantity					
PART NUMBER	PART NAME	SINGLE STATION	SINGLE STATION (Using Speed over water)	SINGLE STATION (Using Speed over ground)	DUAL STATION	DUAL STATION (Using Speed over water)	DUAL STATION (Using Speed over ground)
34000-96L75-000	GAUGE KIT	1	1	1	1	1	1
34002-96L15-000	DUAL STATION KIT	-	-	-	1	1	1
1	34011-96L15-000	-	-	-	1	1	1
4	36662-88L10-000	-	-	-	1	1	1
6	36664-88L00-000	-	-	-	1	1	1
9	36662-88L30-000 36662-88L00-000	-	-	-	1	1	1
13	34190-88L00-000 39950-88L02-000	-	1	-	-	1	-
14	36667-96L11-000	-	-	-	1	1	1
15	36665-96L00-000	-	-	-	1	1	1

KIT COMPONENT			KIT	
PART NUMBER	PART NAME	LENGTH	A. GAUGE KIT	B. DUAL STATION KIT
			34000-96L75-000	34002-96L15-000
1	34011-96L15-000	-	2	1
3	36682-92E00-000	6.4m	-	1
4	36662-88L10-000	0.6m	2	1
4	36662-88L20-000	1.8m	-	-
5	36663-88L00-000	-	1	-
6	36664-88L00-000	-	2	1
7	36665-88L00-000	-	1	-
8	36665-88L10-000	-	1	-
9	36662-88L30-000	4.7m	-	-
9	36662-88L00-000	7.6m	-	-
10	36666-96L00-000	-	-	1
11	36661-96L20-000	-	1	-
12	36667-96L00-000	-	1	-
12	36667-96L30-000	-	-	-
13	34190-88L00-000	-	-	-
13	39950-88L02-000	-	-	-
14	36667-96L11-000	-	-	-
15	36665-96L00-000	-	-	1

SPC & TRIPLE ENGINE

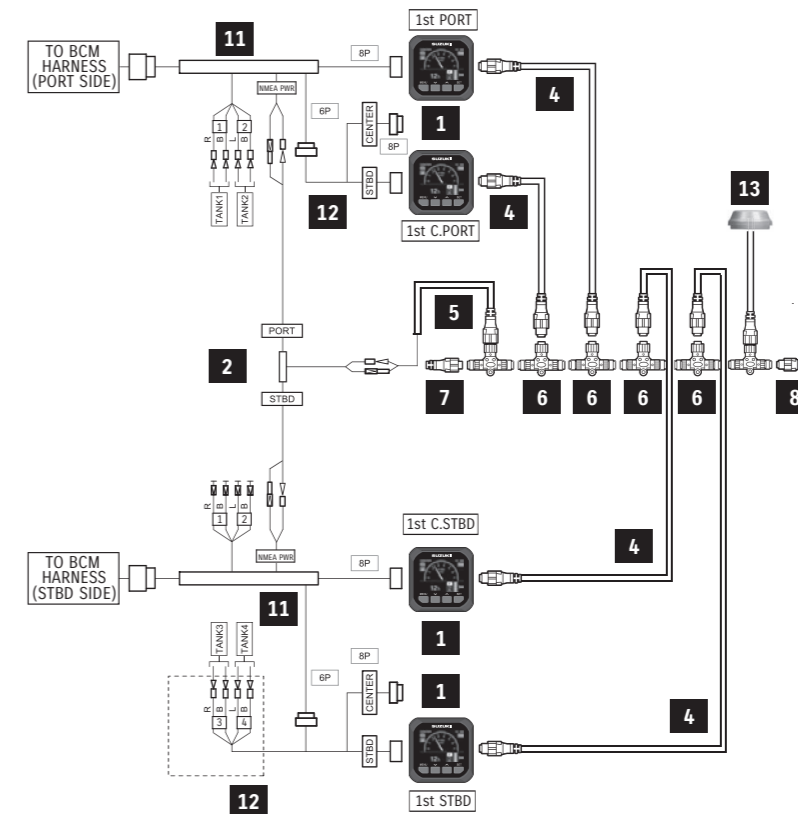


TOTAL REQUIREMENT LIST

For SPC & TRIPLE ENGINE		Total Required Quantity					
PART NUMBER	PART NAME	SINGLE STATION	SINGLE STATION (Using Speed over water)	SINGLE STATION (Using Speed over ground)	DUAL STATION	DUAL STATION (Using Speed over water)	DUAL STATION (Using Speed over ground)
34000-96L75-000	GAUGE KIT	1	1	1	1	1	1
34002-96L15-000	DUAL STATION KIT	-	-	-	1	1	1
1	34011-96L15-000 GAUGE ASSY, MULTI	1	1	1	3	3	3
4	36662-88L10-000 WIRE COMP, EXTENSION	1	1	1	3	3	3
6	36664-88L00-000 CONNECTOR COMP, BRANCH	1	1	1	3	3	3
9	36662-88L30-000 WIRE COMP, EXTENSION	-	-	-	1	1	1
13	34190-88L00-000 SENSOR ASSY, PADDLE WHEEL	-	1	-	-	1	-
14	39950-88L02-000 GPS RECEIVER MODULE	-	-	1	-	-	1
15	36667-96L11-000 WIRE COMP, GAUGE ADAPTER	-	-	-	2	2	2
15	36665-96L00-000 ADAPTER COMP, DUAL STATION	-	-	-	1	1	1

KIT COMPONENT				KIT	
PART NUMBER	PART NAME	LENGTH		A. GAUGE KIT 34000-96L75-000	B. DUAL STATION KIT 34002-96L15-000
1	34011-96L15-000 GAUGE ASSY, MULTI	-		2	1
3	36682-92E00-000 WIRE COMP, GAUGE EXT	6.4m		-	1
4	36662-88L10-000 WIRE COMP, EXTENSION	0.6m		2	1
4	36662-88L20-000 WIRE COMP, EXTENSION	1.8m		-	-
5	36663-88L00-000 HARNESS ASSY, NETWORK POWER	-		1	-
6	36664-88L00-000 CONNECTOR COMP, BRANCH	-		2	1
7	36665-88L00-000 UNIT COMP, RESISTOR FEMALE	-		1	-
8	36665-88L10-000 UNIT COMP, RESISTOR MALE	-		1	-
9	36662-88L30-000 WIRE COMP, EXTENSION	4.7m		-	-
9	36662-88L00-000 WIRE COMP, EXTENSION	7.6m		-	-
10	36666-96L00-000 ADAPTER, GAUGE POWER	-		-	1
11	36661-96L20-000 ADAPTER COMP, GAUGE	-		1	-
12	36667-96L00-000 WIRE COMP, GAUGE ADAPTER	-		1	-
12	36667-96L30-000 WIRE COMP, GAUGE ADAPTER (FOR TANK3-4)	-		-	-
13	34190-88L00-000 SENSOR ASSY, PADDLE WHEEL	-		-	-
13	39950-88L02-000 GPS RECEIVER MODULE	-		-	-
14	36667-96L11-000 WIRE COMP, GAUGE ADAPTER	-		-	-
15	36665-96L00-000 ADAPTER COMP, DUAL STATION	-		-	1

SPC & QUADRUPLE ENGINE

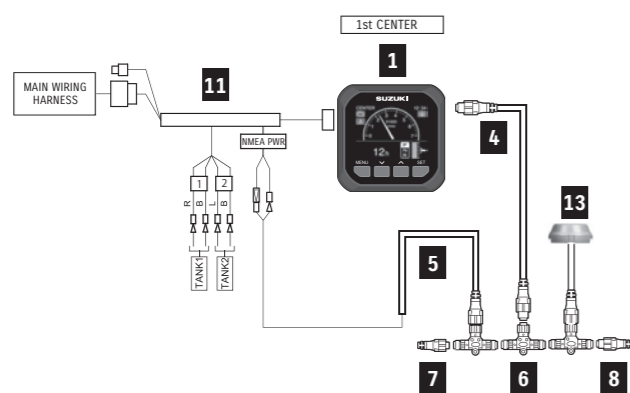


TOTAL REQUIREMENT LIST

For SPC & QUADRUPLE ENGINE		Total Required Quantity					
PART NUMBER	PART NAME	SINGLE STATION	SINGLE STATION (Using Speed over water)	SINGLE STATION (Using Speed over ground)	DUAL STATION	DUAL STATION (Using Speed over water)	DUAL STATION (Using Speed over ground)
34000-96L75-000	GAUGE KIT	1	1	1	1	1	1
34002-96L15-000	DUAL STATION KIT	-	-	-	1	1	1
1	34011-96L15-000 GAUGE ASSY, MULTI	2	2	2	5	5	5
2	36665-87L10-000 ADAPTER, GAUGE FOR MULTI	1	1	1	1	1	1
3	36682-92E00-000 WIRE COMP, GAUGE EXT	-	-	-	1	1	1
4	36662-88L10-000 WIRE COMP, EXTENSION	2	2	2	5	5	5
6	36664-88L00-000 CONNECTOR COMP, BRANCH	2	2	2	5	5	5
9	36662-88L30-000 WIRE COMP, EXTENSION	-	-	-	1	1	1
11	36661-96L20-000 ADAPTER COMP, GAUGE	1	1	1	1	1	1
12	36667-96L00-000 WIRE COMP, GAUGE ADAPTER	1	1	1	1	1	1
12	36667-96L30-000 WIRE COMP, GAUGE ADAPTER (FOR TANK3-4)	1	1	1	1	1	1
13	34190-88L00-000 SENSOR ASSY, PADDLE WHEEL	-	1	-	-	1	-
13	39950-88L02-000 GPS RECEIVER MODULE	-	-	1	-	-	1
15	36665-96L00-000 ADAPTER COMP, DUAL STATION	-	-	-	1	1	1

KIT COMPONENT				KIT	
PART NUMBER	PART NAME	LENGTH		GAUGE KIT 34000-96L75-000	DUAL STATION KIT 34002-96L15-000
1	34011-96L15-000 GAUGE ASSY, MULTI	-		2	1
2	36665-87L10-000 ADAPTER, GAUGE FOR MULTI	-		-	-
3	36682-92E00-000 WIRE COMP, GAUGE EXT	6.4m		-	1
4	36662-88L10-000 WIRE COMP, EXTENSION	0.6m		2	1
4	36662-88L20-000 WIRE COMP, EXTENSION	1.8m		-	-
5	36663-88L00-000 HARNESS ASSY, NETWORK POWER	-		1	-
6	36664-88L00-000 CONNECTOR COMP, BRANCH	-		2	1
7	36665-88L00-000 UNIT COMP, RESISTOR FEMALE	-		1	-
8	36665-88L10-000 UNIT COMP, RESISTOR MALE	-		1	-
9	36662-88L30-000 WIRE COMP, EXTENSION	4.7m		-	-
9	36662-88L00-000 WIRE COMP, EXTENSION	7.6m		-	-
10	36666-96L00-000 ADAPTER, GAUGE POWER	-		-	1
11	36661-96L20-000 ADAPTER COMP, GAUGE	-		1	-
12	36667-96L00-000 WIRE COMP, GAUGE ADAPTER	-		1	-
12	36667-96L30-000 WIRE COMP, GAUGE ADAPTER (FOR TANK3-4)	-		-	-
13	34190-88L00-000 SENSOR ASSY, PADDLE WHEEL	-		-	-
13	39950-88L02-000 GPS RECEIVER MODULE	-		-	-
15	36665-96L00-000 ADAPTER COMP, DUAL STATION	-		-	1

MECHANICAL CONTROL & SINGLE ENGINE



- Basic Kit
34000-96L45 **A. GAUGE KIT**
- When using GPS module (or Speed over water)
34000-96L45 **A. GAUGE KIT**
+36001-88L00 **B. CABLE KIT**
- +39950-88L02 GPS. Receiver Module
(34190-88L00 When using Speed over water)

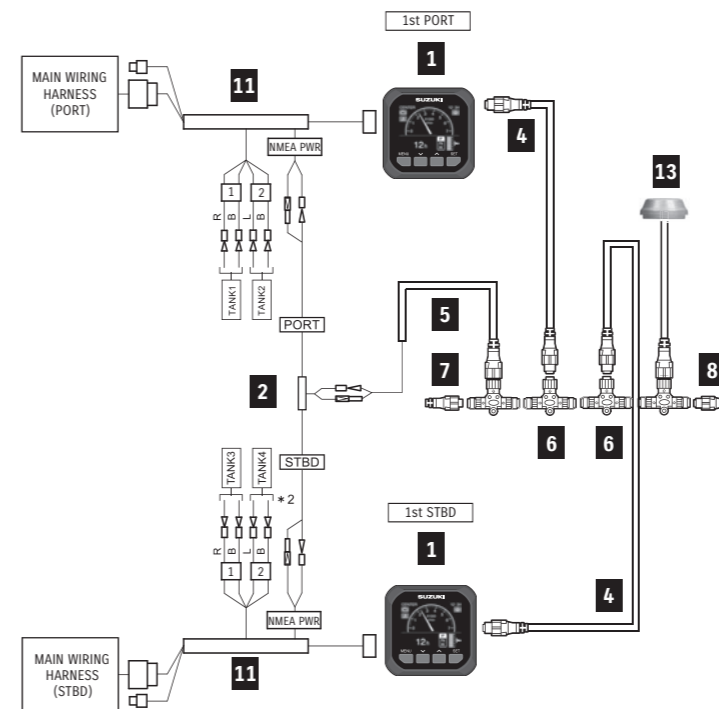
- When using DF9.9B-DF30A
36660-89L02-000

For MECHANICAL CONTROL & SINGLE ENGINE				KIT		Total Required Quantity A (+ B) <= 17 >
PART NUMBER	PART NAME	LENGTH	A. GAUGE KIT 34000-96L45-000	B. CABLE KIT 36001-88L00-000		
1	34011-96L15-000	GAUGE ASSY, MULTI	-	1	-	1
4	36662-88L10-000	WIRE COMP, EXTENSION	0.6m	-	1	(1)
5	36663-88L00-000	HARNESS ASSY, NETWORK POWER	-	-	1	(1)
6	36664-88L00-000	CONNECTOR COMP, BRANCH	-	-	1	(1)
7	36665-88L00-000	UNIT COMP, RESISTOR FEMALE	-	-	1	(1)
8	36665-88L10-000	UNIT COMP, RESISTOR MALE	-	-	1	(1)
11	36661-96L30-000	ADAPTER COMP, GAUGE	-	1	-	1
13	34190-88L00-000	SENSOR ASSY, PADDLE WHEEL	-	-	-	(1)
17	39950-88L02-000	GPS RECEIVER MODULE	-	-	-	(1)
17	36660-89L02-000	SMFG, ADAPTER	-	-	-	<1>

■ *() parts are required when using GPS module or Speed sensor.
■ * < > part are required when using with DF9.9B to 30A.



MECHANICAL CONTROL & DUAL ENGINE

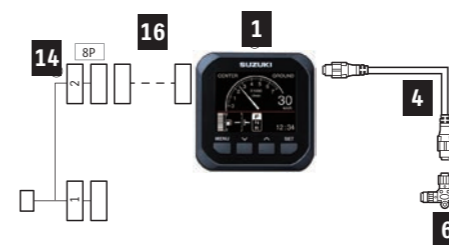


- Basic Kit
34000-96L55 **A. GAUGE KIT**
- When using GPS module
34000-96L55 **A. GAUGE KIT**
+36001-88L00 **B. CABLE KIT**
- +39950-88L02 GPS. Receiver Module
(34190-88L00 When using Speed over water)

For MECHANICAL CONTROL & DUAL ENGINE				KIT		Total Required Quantity A (+13)
PART NUMBER	PART NAME	LENGTH	A. GAUGE KIT 34000-96L55-000	B. CABLE KIT 36001-88L00-000		
1	34011-96L15-000	GAUGE ASSY, MULTI	-	2	-	2
2	36665-87L10-000	ADAPTER, GAUGE FOR MULTI	-	1	-	1
4	36662-88L10-000	WIRE COMP, EXTENSION	0.6m	2	-	2
5	36663-88L00-000	HARNESS ASSY, NETWORK POWER	-	1	-	1
6	36664-88L00-000	CONNECTOR COMP, BRANCH	-	2	-	2
7	36665-88L00-000	UNIT COMP, RESISTOR FEMALE	-	1	-	1
8	36665-88L10-000	UNIT COMP, RESISTOR MALE	-	1	-	1
11	36661-96L30-000	ADAPTER COMP, GAUGE	-	2	-	2
13	34190-88L00-000	SENSOR ASSY, PADDLE WHEEL	-	-	-	(1)
17	39950-88L02-000	GPS RECEIVER MODULE	-	-	-	(1)

■ *() parts are required when using GPS module or Speed sensor.

ADDITIONAL GAUGE COMPONENTS (MECHANICAL AND SPC)



ADDITIONAL GAUGE COMPONENTS (MECHANICAL AND SPC)				Total Required
PART NUMBER	PART NAME	LENGTH		
1	34011-96L15-000	GAUGE ASSY, MULTI	-	1
4	36662-88L10-000	WIRE COMP, EXTENSION	0.6m	1
6	36664-88L00-000	CONNECTOR COMP, BRANCH	-	1
14	36667-96L11-000	WIRE COMP, DUAL GAUGE ADAPTER	-	1
16	36667-96L20-000	WIRE, GAUGE EXT	0.6m	(1)

Please use "36667-96L20-000 WIRE, GAUGE EXT" as an extension between "34011-96L15" and "36667-96L11"

COMPONENT PARTS

1 GAUGE ASSY, MULTI	4 WIRE COMP, EXTENSION	5 HARNESS ASSY, NETWORK POWER	6 CONNECTOR COMP, BRANCH	7 UNIT COMP, RESISTOR FEMALE
				
8 UNIT COMP, RESISTOR MALE	11 ADAPTER COMP, GAUGE	13 SENSOR ASSY, PADDLE WHEEL	GPS RECEIVER MODULE	
				

In addition to component of [MECHANICAL SINGLE] In addition to component of [SINGLE STATION]

2 ADAPTER, GAUGE FOR MULTI	3 WIRE COMP, GAUGE EXT
	



DIAGNOSTIC MOBILE APP



SDS Mobile works in tandem with our Multi-Function Gauge and Multi-Function Display. Simply download the App, which is available on iOS and Android, to your smartphone: you don't need a separate device. When you email your data scanned from QR code to the Dealer, they will be supplied of information including engine number, number of hours since the last oil change, total hours of operation at different rpm, and technical information.

*DENSO WEB owns the right of name and logo of QR code.



DOWNLOAD THE APP FROM:

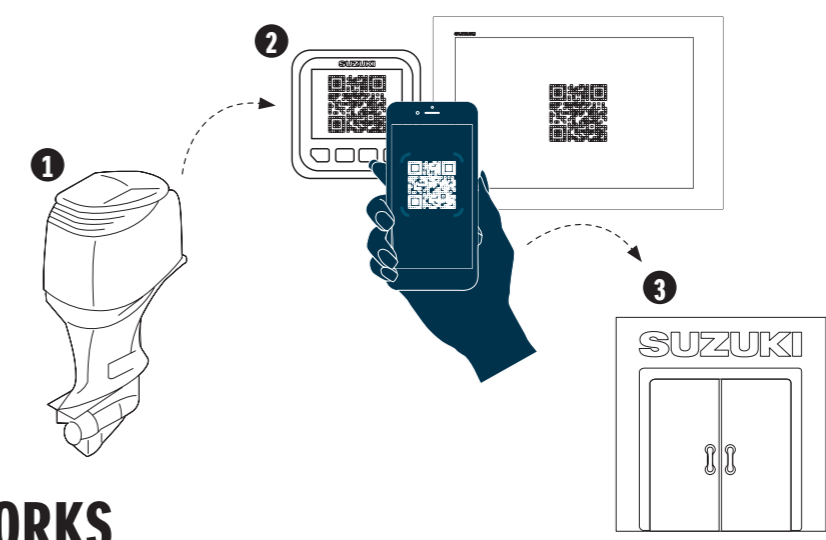


Apple and the Apple logo are trademarks of Apple Inc., registered in the U.S. and other countries. App Store is a service mark of Apple Inc., registered in the U.S. and other countries.



Google Play and the Google Play logo are trademarks of Google LLC.

SDS Mobile App and email service are entirely free of charge.



HOW IT WORKS

1. The Outboard sends engine data and converts it into a QR code displayed on the Multi-Function Gauge or Multi-Function Display.
2. With the SDS Mobile App, you can then scan the QR code on the Multi-Function Gauge or Multi-Function Display with your phone. The engine data will be stored on your smart phone.
3. You can then send the engine data via email to your Suzuki Dealer.

KEYLESS START SYSTEM



HIGH SECURITY

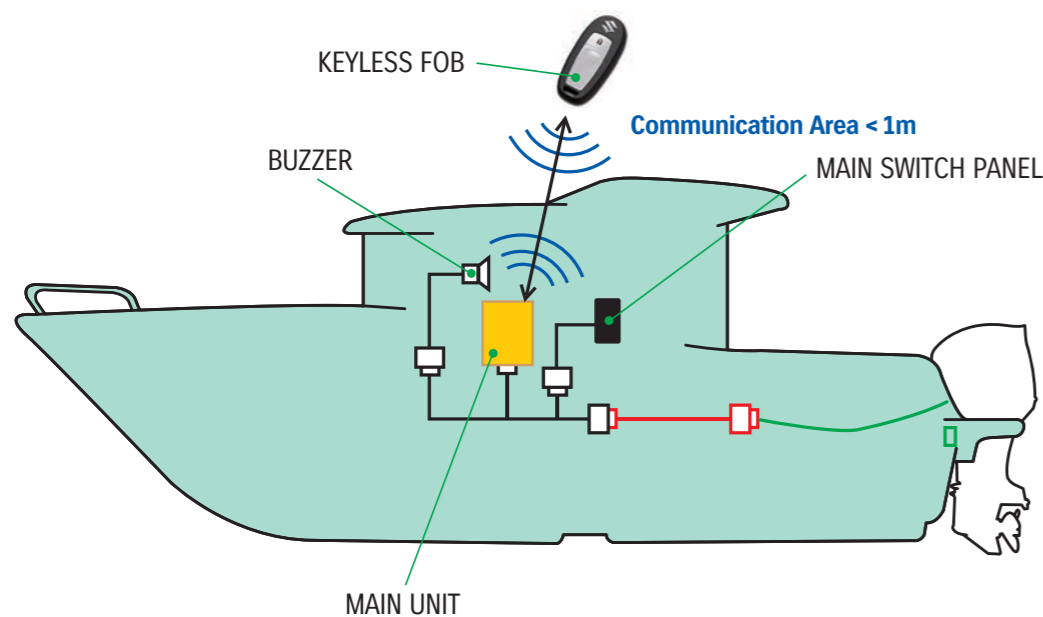
- Suzuki original engine starting system features an immobilizer function for added peace of mind. IC access codes installed in the keyless fob and engine must match for the engine to start. This prevents starting the engine with the wrong key making the system a good theft deterrent as well.

EASY OPERATION

- Suzuki original engine starting system offers a variety of functions. The keyless fob is easy to carry and one is all you need to enjoy stress-free starts for greater boating pleasure.
- One step ahead of the competition, the Suzuki Keyless Start System requires no mechanical key so the keyless fob remains safely in your pocket.

WATERPROOF FLOAT KEYLESS FOB

- The easy to carry keyless fob remains safely in your pocket reducing risk of a lost key. The keyless fob is waterproof and floats so should it ever go overboard it is retrievable.

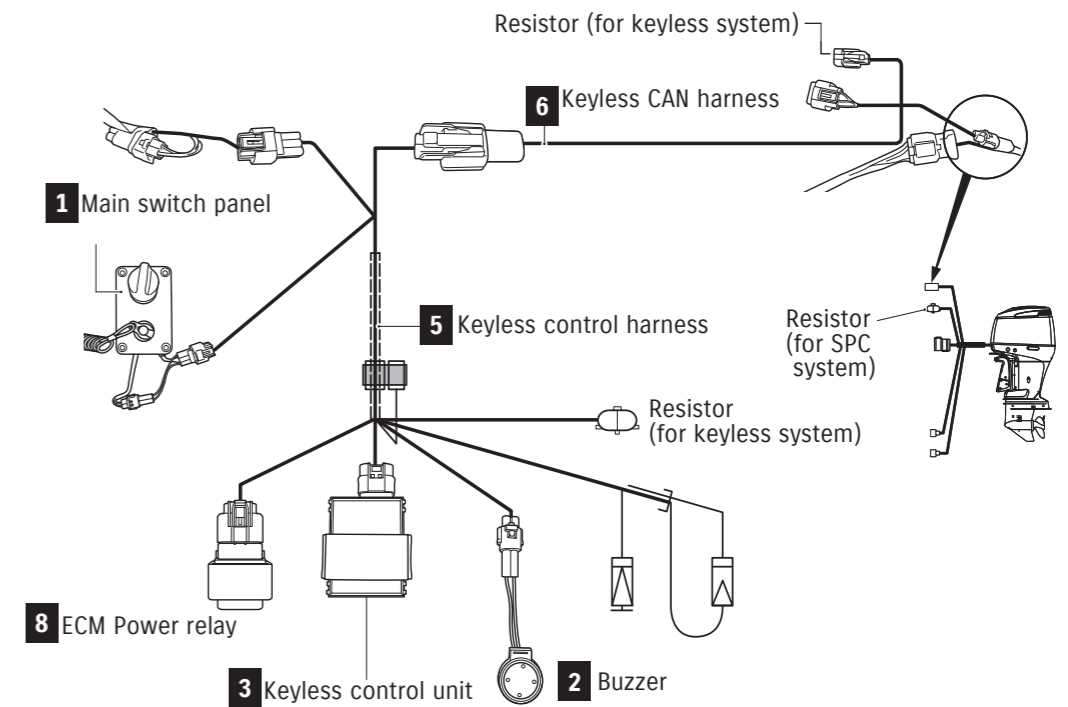


Find out more by watching our videos

INSTALLATION DIAGRAM

THE ULTIMATE OUTBOARD MOTOR

SUZUKI KEYLESS START SYSTEM for SPC

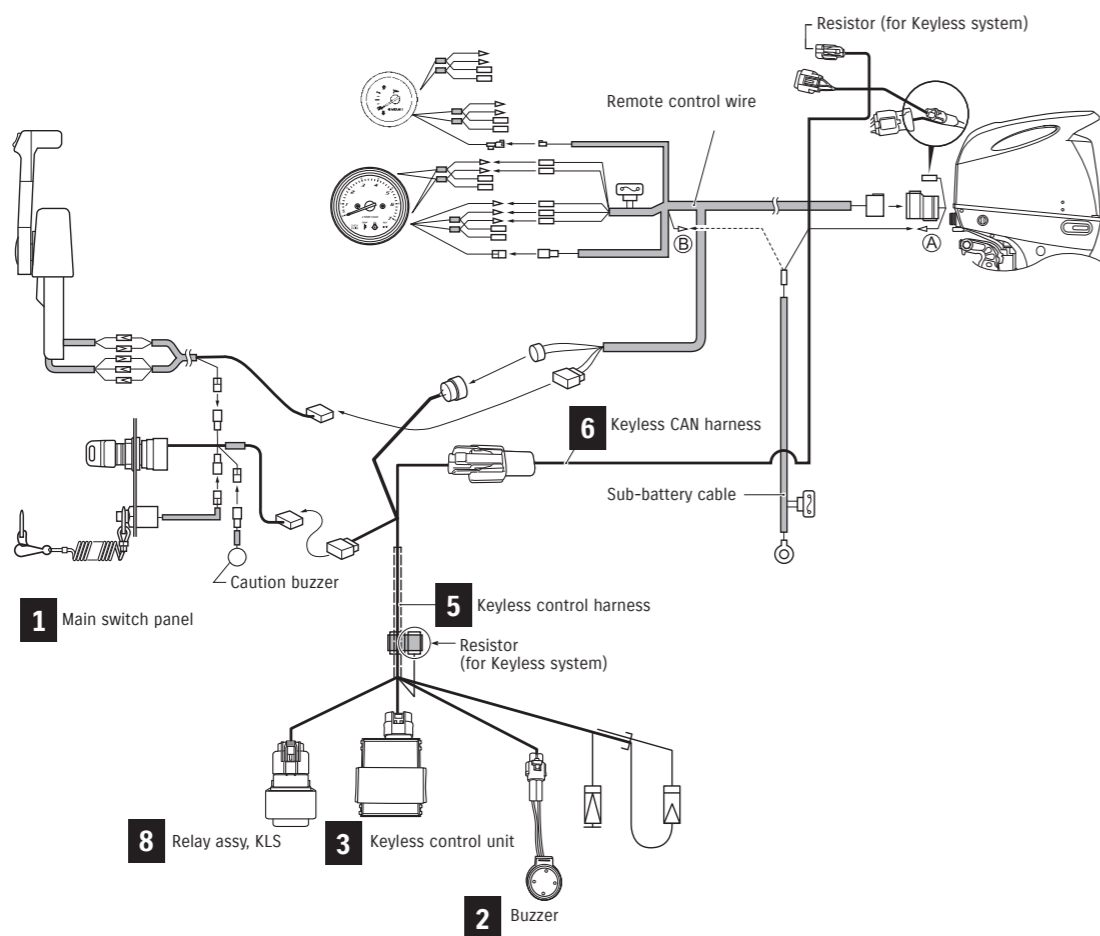


	For SPC			KIT		Total Required Quantity			
				CONTROLLER SET	HARNESS SET	SINGLE	DUAL	TRIPLE	QUAD
				37170-96L04	37105-96L04				
1	37100-96L02-000	MAIN SWITCH PANEL	-	-	1	1	1	1	
2	38500-93J90-000	BUZZER	-	1	1	1	1	1	
3	37171-96L02-000 37171-96L12-000	KEYLESS CONTROL UNIT	1	-	1	1	1	1	
4	37172-96L01-000 37172-96L10-000	KEYLESS FOB	2	-	2	2	2	2	
5	36623-96L02-000	KEYLESS CONTROL HARNESS	-	1	1	1	1	1	
6	36662-96L01-000	KEYLESS CAN HARNESS	6.5m	1	1	1	1	1	
7	36664-96L00-000	CAN EXTENSION HARNESS	0.8m	-	-	1	2	3	
8	38860-96L01-000	RELAY ASSY, KLS	-	1	1	1	1	1	
9	37173-96L10-000	HOLDER, KLS PARTS	-	1	1	1	1	1	
10	32980-38F00-000	HOLDER, CDI UNIT	-	1	1	1	1	1	
11	32851-93J00-000	CUSHION	-	1	1	1	1	1	
-	09407-14407-000	CLAMP, KLS HARNESS	-	1	1	1	1	1	
-	37117-96L00-000	DECAL, KLS	-	2	-	-	-	-	

■ 37170-96L04 (433.92MHz) or 37170-96L14 (315MHz)

COMPONENT PARTS

SUZUKI KEYLESS START SYSTEM for MECHANICAL REMOTE CONTROL



For MECHANICAL REMOTE CONTROL				KIT		Total Required Quantity	
PART NUMBER	PART NAME	LENGTH	CONTROLLER SET	HARNESS SET	SINGLE	DUAL	
			37170-96L04	37105-96L12			
1	37100-96L12-000 37100-96L22-000	MAIN SWITCH PANEL	-	-	1	-	
2	38500-93J90-000	BUZZER	-	1	1	1	
3	37171-96L02-000 37171-96L12-000	KEYLESS CONTROL UNIT	1	-	1	1	
4	37172-96L01-000 37172-96L10-000	KEYLESS FOB	2	-	2	2	
5	36623-96L11-000	KEYLESS CONTROL HARNESS	-	1	1	1	
6	36662-96L10-000	KEYLESS CAN HARNESS	6.5m	1	1	1	
7	36664-96L00-000	CAN EXTENSION HARNESS	0.8m	-	-	1	
8	38860-96L01-000	RELAY ASSY, KLS	-	1	1	1	
9	37173-96L10-000	HOLDER, KLS PARTS	-	1	1	1	
12	36621-96L00-000	HARNESS ASSY, DUAL KLS ENG	-	-	-	1	
13	36663-96L10-000	WIRE COMP, KLS CAN EXT	2.0m	-	-	1	
10	32980-38F00-000	HOLDER, CDI UNIT	-	1	1	1	
11	32851-93J00-000	CUSHION	-	1	1	1	
-	37117-96L00-000	DECAL, KLS	-	2	-	-	

■ 37170-96L04 (433.92MHz) or 37170-96L14 (315MHz)

PART NUMBER	PART NAME	LENGTH	NOTE
1	37100-96L02-000 37100-96L12-000 37100-96L22-000	- - -	for SPC for MECHANICAL, SINGLE ENGINE for MECHANICAL, DUAL ENGINE
2	38500-93J90-000	-	
3	37171-96L02-000 37171-96L12-000	- -	
4	37172-96L01-000 37172-96L10-000	- -	
5	36623-96L02-000 36623-96L11-000	- -	
6	36662-96L01-000 36662-96L10-000	6.5m 6.5m	for SPC for MECHANICAL
7	36664-96L00-000	0.8m	
8	38860-96L01-000	-	
9	37173-96L10-000	-	
10	32980-38F00-000	-	
11	32851-93J00-000	-	

ANALOGUE INSTRUMENT

TACHOMETER



White



Black



White



Black



White



Black

34200-93J14-000 (White)

34200-93J02-000 (Black)

Gauge Size 4" (101.6mm)

Applicable Model DF25A-250

Caution system alert with a monitor lamp lighting on when an abnormal engine condition occurs. Refer to SERVICE MANUAL for the detail.

34200-93J53-000 (White)

34200-93J42-000 (Black)

Gauge Size 4" (101.6mm)

Applicable Model DF40A-200A

Exclusive for SUZUKI Troll Mode System. Automatically switches to low RPM scale when the SUZUKI Troll Mode System is activated.

34200-93J34-000 (White)

34200-93J22-000 (Black)

Gauge Size 4" (101.6mm)

Applicable Model DF8A-30A, DT30/40W

Full-scale 7000-RPM TACHOMETER can be used on electric-start models by using 4, 6 or 12 pole switch on rear of meter.

TRIM GAUGE



White



Black

34800-93J13-000 (White)

34800-93J02-000 (Black)

Gauge Size 2" (50.8mm)

Applicable Model DF25A-250

Magnetic-type gauge shows trim angle for optimum performance and efficiency.

FUEL GAUGE



White



Black

34300-93J13-000 (White)

34300-93J02-000 (Black)

Gauge Size 2" (50.8mm)

FUEL GAUGE alone works with the US Standard 250Ω sending unit.

HOUR METER



White



Black

34500-93J13-000 (White)

34500-93J02-000 (Black)

Gauge Size 2" (50.8mm)

Applicable Model DF9.9B-250, DT30/40

12-Volt-electric-motor driven meter indicates hours that your SUZUKI OUTBOARD MOTOR has been operated in order for you to know when each periodic service is required.

VOLTMETER



White Black

34600-93J13-000 (White)

34600-93J02-000 (Black)

Gauge Size 2" (50.8mm)

Applicable Model DF9.9B-250, DT30/40

To help your SUZUKI OUTBOARD MOTOR run at its best, monitor the charging system functioning with a VOLTMETER.

WATER-PRESSURE GAUGE



White Black

34650-93J33-000 (White)

34650-93J22-000 (Black)

Gauge Size 2" (50.8mm)

Applicable Model DF40A-250

Bourdon-tube type gauge measures cooling-water pressure. Select an appropriate INSTALLATION KIT for each model.

SPEEDOMETER SENDER ASSY



34190-95500-000



34190-87D00-000

SPEEDOMETER



White Black

34100-93J13-000 (White)

34100-93J02-000 (Black)

Gauge Size 4" (101.6mm)

Maximum Speed 130km/h, 80mph

Bourdon-tube type speedometer with readings in km/h and mph. Includes vinyl tube, hardware and installation manual.



White Black

34100-93J33-000 (White)

34100-93J22-000 (Black)

Gauge Size 4" (101.6mm)

Maximum Speed 80km/h, 50mph

Bourdon-tube type speedometer with readings in km/h and mph. Includes vinyl tube, hardware and installation manual.



White Black

34100-93J53-000 (White)

34100-93J42-000 (Black)

Gauge Size 4" (101.6mm)

Maximum Speed 80km/h, 45knots

Bourdon-tube type speedometer with readings in km/h and knots. Includes vinyl tube, hardware and installation manual.



34100-93J62-000

Gauge Size 4" (101.6mm)

Background White

Maximum Speed 120km/h, 65knots

Bourdon-tube type speedometer with readings in km/h and knots. Includes vinyl tube, hardware and installation manual.

INSTALLATION KIT for WATER-PRESSURE GAUGE



34660-90J04-000

Applicable Model DF40A-140A

34660-96J01-000

Applicable Model DF150-175/200A

34660-93J02-000

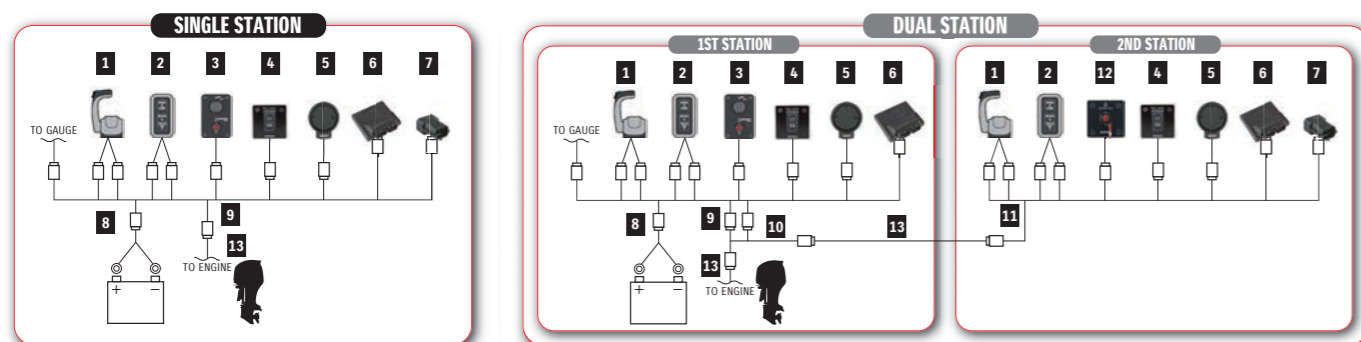
Applicable Model DF200-250

KIT includes fittings and hoses needed for motor to gauge connection.

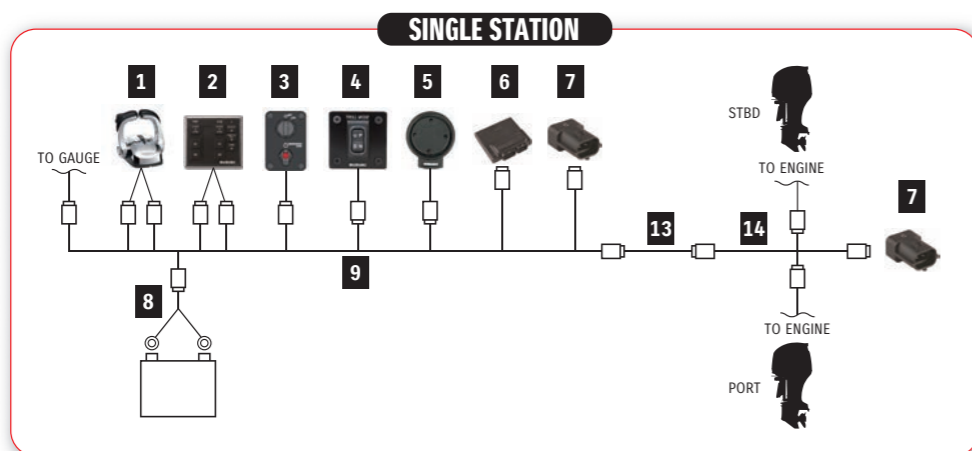
SUZUKI PRECISION CONTROL (SPC)

REMOTE-CONTROL KIT

SINGLE ENGINE



DUAL ENGINE



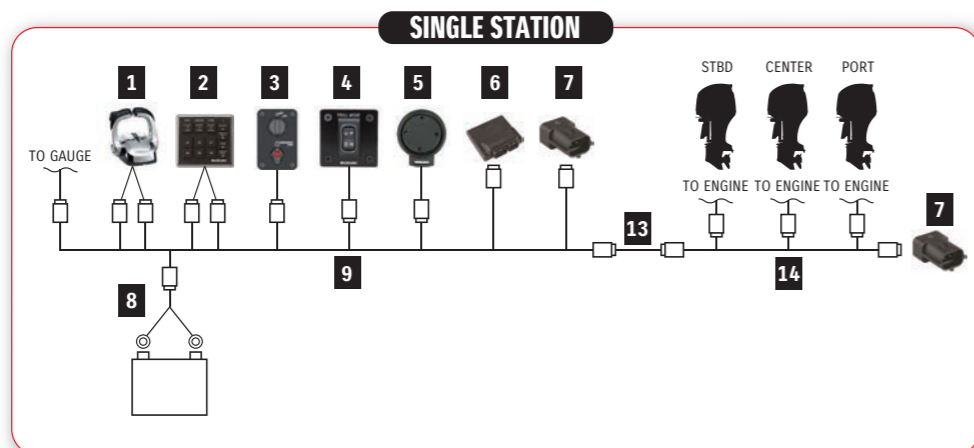
	PART NUMBER	PART NAME	LENGTH	KIT				Total Required Quantity	
				1st Station		2nd Station		SINGLE STATION	DUAL STATION
				67000-98JE8-000	67000-98JM5-000	67000-98JF6-000	67000-98JL5-000		
1	67200-98J06-000	BINNACLE MOUNT R/C BOX		1	-	1	-	1	2
	67200-98J24-000	FLUSH MOUNT R/C BOX		-	1	-	1		
2	37100-98J11-000	CONTROL PANEL		1	1	1	1	1	2
3	37100-98J07-000	MAIN SWITCH PANEL		1	1	-	-	1	1
4	37860-87L00-000	TROLL MODE SWITCH PANEL		1	1	1	1	1	2
5	38500-93J90-000	WARNING BUZZER		1	1	1	1	1	2
	09407-08401-000	WARNING BUZZER CLAMP		1	1	1	1	1	2
	36770-98J13-000	BOAT CONTROL MODULE		1	1	1	1	1	2
	36775-98J00-000	BCM HOLDER (L)		1	1	1	1	1	2
6	36776-98J00-000	BCM HOLDER (R)		1	1	1	1	1	2
	33911-88BL0-000	BCM-CONNECT CAP		1	1	1	1	1	2
	33925-93J00-000	BCM CUSHION		1	1	1	1	1	2
7	33926-98J00-000	TERMINAL RESISTOR		2	2	-	-	2	2
8	36625-98J10-000	BATTERY-LEAD		1	1	-	-	1	1
9	36623-98J21-000	BCM #1 WIRING HARNESS		1	1	-	-	1	1
10	36622-98J00-000	DUAL-STATION WIRING HARNESS		-	-	1	1	-	1
11	36624-98J02-000	BCM #2 WIRING HARNESS		-	-	1	1	-	1
12	37803-93J06-000	EMERGENCY SWITCH PANEL		-	-	1	1	-	1
-	09403-13402-000	HARNESS CLAMP		10	10	10	10	-	-
*13	36620-98J31-000	MAIN WIRING HARNESS	6.5m	-	-	-	-	1	2
	36620-98J41-000	MAIN WIRING HARNESS EXTENSION	9.5m	-	-	-	-		
	36620-98J51-000	MAIN WIRING HARNESS EXTENSION	2.0m	-	-	-	-		

*13 is not included in these kits.
Please purchase these items separately.

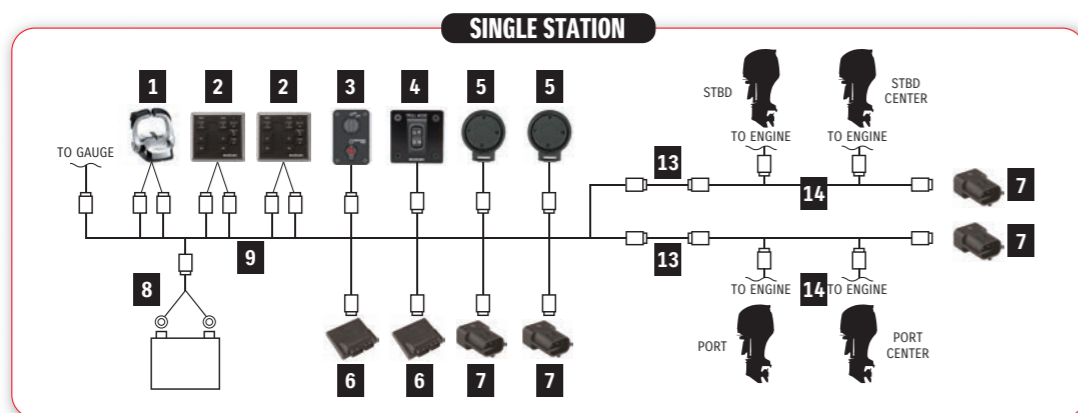
	PART NUMBER	PART NAME	LENGTH	KIT		Total Required Quantity	
				1st Station	2nd Station	SINGLE STATION	DUAL STATION
				67000-98JG6-000	67000-98JHG-000		
1	67200-98J16-000	BINNACLE MOUNT R/C BOX		1	1	1	2
2	37100-98J21-000	CONTROL PANEL		1	1	1	2
3	37100-98J07-000	MAIN SWITCH PANEL		1	-	1	1
4	37860-87L00-000	TROLL MODE SWITCH PANEL		1	1	1	2
5	38500-93J90-000	WARNING BUZZER		1	1	1	2
	09407-08401-000	WARNING BUZZER CLAMP		1	1	1	2
	36770-98J13-000	BOAT CONTROL MODULE		1	1	1	2
	36775-98J00-000	BCM HOLDER (L)		1	1	1	2
6	36776-98J00-000	BCM HOLDER (R)		1	1	1	2
	33925-93J00-000	BCM CUSHION		1	1	1	2
7	33926-98J00-000	TERMINAL RESISTOR		2	-	2	2
8	36625-98J10-000	BATTERY-LEAD		1	-	1	1
9	36623-98J30-000	BCM #1 WIRING HARNESS		1	-	1	1
10	36622-98J00-000	DUAL-STATION WIRING HARNESS		-	1	-	1
11	36624-98J11-000	BCM #2 WIRING HARNESS		-	1	-	1
12	37803-93J06-000	EMERGENCY SWITCH PANEL		-	1	-	1
14	36621-98J00-000	ENGINE WIRING HARNESS		1	-	1	1
-	09403-13402-000	HARNESS CLAMP		15	10	-	-
*13	36620-98J31-000	MAIN WIRING HARNESS	6.5m	-	-	1	2
	36620-98J41-000	MAIN WIRING HARNESS EXTENSION	9.5m	-	-		
	36620-98J51-000	MAIN WIRING HARNESS EXTENSION	2.0m	-	-		
-	36612-98J20-000	CONNECTOR, COUNTER SELECT		1	-	1	1

*13 is not included in these kits.
Please purchase these items separately.

TRIPLE ENGINE



QUADRUPLE ENGINE



	PART NUMBER	PART NAME	LENGTH	KIT		Total Required Quantity	
				1st Station	2nd Station	SINGLE STATION	DUAL STATION
				67000-98J16-000	67000-98JK6-000		
1	67200-98J16-000	BINNACLE MOUNT R/C BOX		1	1	1	2
2	37100-98J31-000	CONTROL PANEL		1	1	1	2
3	37100-98J07-000	MAIN SWITCH PANEL		1	-	1	1
4	37860-87L00-000	TROLL MODE SWITCH PANEL		1	1	1	2
5	38500-93J90-000	WARNING BUZZER		1	1	1	2
	09407-08401-000	WARNING BUZZER CLAMP		1	1	1	2
6	36770-98J13-000	BOAT CONTROL MODULE		1	1	1	2
	36775-98J00-000	BCM HOLDER (L)		1	1	1	2
	36776-98J00-000	BCM HOLDER (R)		1	1	1	2
	33925-93J00-000	BCM CUSHION		1	1	1	2
7	33926-98J00-000	TERMINAL RESISTOR		2	-	1	2
8	36625-98J10-000	BATTERY-LEAD		1	-	2	2
9	36623-98J30-000	BCM #1 WIRING HARNESS		1	-	1	1
10	36622-98J00-000	DUAL-STATION WIRING HARNESS		-	1	1	1
11	36624-98J11-000	BCM #2 WIRING HARNESS		-	1	-	1
12	37803-93J06-000	EMERGENCY SWITCH PANEL		-	1	-	1
14	36621-98J10-000	ENGINE WIRING HARNESS		1	-	-	1
-	09403-13402-000	HARNESS CLAMP		18	10	-	-
	36620-98J31-000		6.5m	-	-	-	-
*13	36620-98J41-000	MAIN WIRING HARNESS	9.5m	-	-	1	2
	36620-98J51-000	MAIN WIRING HARNESS EXTENSION	2.0m	-	-	-	-
-	36612-98J20-000	CONNECTOR, COUNTER SELECT		1	-	1	1

*13 is not included in these kits.
Please purchase these items separately.

	PART NUMBER	PART NAME	LENGTH	KIT		Total Required Quantity	
				1st Station	2nd Station	SINGLE STATION	DUAL STATION
				67000-98J17-000	67000-98J87-000		
1	67200-98J16-000	BINNACLE MOUNT R/C BOX		1	1	1	2
2	37100-98J21-000	CONTROL PANEL		2	2	2	4
3	37100-98J07-000	MAIN SWITCH PANEL		1	-	1	1
4	37860-87L00-000	TROLL MODE SWITCH PANEL		1	1	1	2
5	38500-93J90-000	WARNING BUZZER		2	2	2	4
	09407-08401-000	WARNING BUZZER CLAMP		2	2	2	4
6	36770-98J22-000	BOAT CONTROL MODULE		2	2	2	4
	36775-98J00-000	BCM HOLDER (L)		2	2	2	4
	36776-98J00-000	BCM HOLDER (R)		2	2	2	4
	33925-93J00-000	BCM CUSHION		2	2	2	4
7	33926-98J00-000	TERMINAL RESISTOR		4	-	4	4
8	36625-98J10-000	BATTERY-LEAD		2	-	2	2
9	36623-98J40-000	BCM #1 WIRING HARNESS		1	1	1	1
10	36622-98J00-000	DUAL-STATION WIRING HARNESS		-	2	-	2
11	36624-98J40-000	BCM #2 WIRING HARNESS		-	1	-	1
12	37803-93J06-000	EMERGENCY SWITCH PANEL		-	1	-	1
14	36621-98J00-000	ENGINE WIRING HARNESS		2	-	2	2
-	09403-13402-000	HARNESS CLAMP		20	15	-	-
	36620-98J31-000		6.5m	-	-	-	-
*13	36620-98J41-000	MAIN WIRING HARNESS	9.5m	-	-	2	4
	36620-98J51-000	MAIN WIRING HARNESS EXTENSION	2.0m	-	-	-	-
-	36612-98J20-000	CONNECTOR, COUNTER SELECT		2	-	2	2

*13 is not included in these kits.
Please purchase these items separately.

REMOTE-CONTROL KIT for KEYLESS START SYSTEM

For SINGLE ENGINE				KIT		Total Required Quantity
				Single Station		
				67000-98J98-000	67000-98JC7-000	
	PART NUMBER	PART NAME	LENGTH	BINNACLE-MOUNT CONTROL KIT	FLUSH-MOUNT CONTROL KIT	SINGLE STATION
1	67200-98J06-000	BINNACLE MOUNT R/C BOX		1	-	1
	67200-98J24-000	FLUSH MOUNT R/C BOX		-	1	1
2	37100-98J11-000	CONTROL PANEL		1	1	1
3	37100-96L02-000	MAIN SWITCH PANEL		1	1	1
4	37860-87L00-000	TROLL MODE SWITCH PANEL		1	1	1
5	38500-93J90-000	WARNING BUZZER		1	1	1
	09407-08401-000	WARNING BUZZER CLAMP		1	1	1
6	36770-98J13-000	BOAT CONTROL MODULE		1	1	1
	36775-98J00-000	BCM HOLDER (L)		1	1	1
	36776-98J00-000	BCM HOLDER (R)		1	1	1
	33911-88B10-000	BCM-CONNECT CAP		1	1	1
	33925-93J00-000	BCM CUSHION		1	1	1
7	33926-98J00-000	TERMINAL RESISTOR		2	2	2
8	36625-98J10-000	BATTERY-LEAD		1	1	1
9	36623-98J21-000	BCM #1 WIRING HARNESS		1	1	1
-	09403-13402-000	HARNESS CLAMP		10	10	-
*13	36620-98J31-000	MAIN WIRING HARNESS	6.5m	-	-	1
	36620-98J41-000	MAIN WIRING HARNESS EXTENSION	9.5m	-	-	-
	36620-98J51-000	MAIN WIRING HARNESS EXTENSION	2.0m	-	-	-

*13 is not included in these kits.
Please purchase these items separately.

For TRIPLE ENGINE				KIT		Total Required Quantity
				1st Station		
				67000-98JB7-000		
	PART NUMBER	PART NAME	LENGTH	BINNACLE-MOUNT CONTROL KIT		SINGLE STATION
1	67200-98J16-000	BINNACLE MOUNT R/C BOX		1		1
2	37100-98J31-000	CONTROL PANEL		1		1
3	37100-96L02-000	MAIN SWITCH PANEL		1		1
4	37860-87L00-000	TROLL MODE SWITCH PANEL		1		1
5	38500-93J90-000	WARNING BUZZER		1		1
	09407-08401-000	WARNING BUZZER CLAMP		1		1
6	36770-98J13-000	BOAT CONTROL MODULE		1		1
	36775-98J00-000	BCM HOLDER (L)		1		1
	36776-98J00-000	BCM HOLDER (R)		1		1
	33925-93J00-000	BCM CUSHION		1		1
7	33926-98J00-000	TERMINAL RESISTOR		2		1
8	36625-98J10-000	BATTERY-LEAD		1		2
9	36623-98J30-000	BCM #1 WIRING HARNESS		1		1
-	36621-98J10-000	ENGINE WIRING HARNESS		1		1
-	09403-13402-000	HARNESS CLAMP		18		-
*13	36620-98J31-000	MAIN WIRING HARNESS	6.5m	-		1
	36620-98J41-000	MAIN WIRING HARNESS EXTENSION	9.5m	-		-
	36620-98J51-000	MAIN WIRING HARNESS EXTENSION	2.0m	-		-
14	36664-96L00-000	HARNESS ASSY, KLS CAN		2		2
-	36612-98J20-000	CONNECTOR, COUNTER SELECT		1		1

*13 is not included in these kits.
Please purchase these items separately.

For DUAL ENGINE				KIT		Total Required Quantity
				Single Station		
				67000-98JA7-000		
	PART NUMBER	PART NAME	LENGTH	BINNACLE-MOUNT CONTROL KIT		SINGLE STATION
1	67200-98J16-000	BINNACLE MOUNT R/C BOX		1		1
2	37100-98J21-000	CONTROL PANEL		1		1
3	37100-96L02-000	MAIN SWITCH PANEL		1		1
4	37860-87L00-000	TROLL MODE SWITCH PANEL		1		1
5	38500-93J90-000	WARNING BUZZER		1		1
	09407-08401-000	WARNING BUZZER CLAMP		1		1
6	36770-98J13-000	BOAT CONTROL MODULE		1		1
	36775-98J00-000	BCM HOLDER (L)		1		1
	36776-98J00-000	BCM HOLDER (R)		1		1
	33925-93J00-000	BCM CUSHION		1		1
7	33926-98J00-000	TERMINAL RESISTOR		2		2
8	36625-98J10-000	BATTERY-LEAD		1		1
9	36623-98J30-000	BCM #1 WIRING HARNESS		1		1
-	36621-98J00-000	ENGINE WIRING HARNESS		1		1
-	09403-13402-000	HARNESS CLAMP		15		-
*13	36620-98J31-000	MAIN WIRING HARNESS	6.5m	-		1
	36620-98J41-000	MAIN WIRING HARNESS EXTENSION	9.5m	-		-
	36620-98J51-000	MAIN WIRING HARNESS EXTENSION	2.0m	-		-
14	36664-96L00-000	HARNESS ASSY, KLS CAN		1		1
-	36612-98J20-000	CONNECTOR, COUNTER SELECT		1		1

*13 is not included in these kits.
Please purchase these items separately.



COMPONENT PARTS

1 R/C BOX BINNACLE MOUNT R/C BOX

FLUSH MOUNT R/C BOX



67200-98J06-000
for Single Engine



67200-98J16-000
for Dual Engine



67200-98J24-000
for Single Engine

2 CONTROL PANEL



37100-98J11-000
for Single Engine



37100-98J21-000
for Dual Engine,
Quadruple Engine



37100-98J31-000
for Triple Engine

3 MAIN SWITCH PANEL

(for KEYLESS START SYSTEM)



37100-98J07-000
single ignition with
Emergency stop switch



37100-96L02-000



37860-87L00-000

5 BUZZER



38500-93J90-000

6 BOAT CONTROL MODULE

BCM HOLDER (L)
BCM HOLDER (R)

BCM CONNECT CAP

BCM CUSHION



36770-98J13-000
for Single Engine, Dual Engine,
Triple Engine
36770-98J22-000
for Quadruple Engine



36775-98J00-000
(L)
36776-98J00-000
(R)



33911-88BLO-000



33925-93J00-000

7 TERMINAL RESISTOR



33926-98J00-000

8 BATTERY LEAD WIRE



36625-98J10-000
2.2 meters

36625-98J20-000
6.1 meters

9 BCM #1 WIRING HARNESS



36623-98J21-000
for Single Engine
and Single(First) Station

36623-98J30-000
for Dual or Triple Engine
and Single(First) Station

36623-98J40-000
for Quadruple Engine

10 DUAL-STATION WIRING HARNESS



36622-98J00-000

11 BCM #2 WIRING HARNESS



36624-98J02-000
for Single Engine
and Second Station

36624-98J11-000
for Dual or Triple Engine
and Second Station

36624-98J40-000
for Quadruple Engine
and Second Station

12 EMERGENCY SWITCH PANEL



37803-93J06-000

13 MAIN WIRING HARNESS



36620-98J31-000
6.5 meters for control system

36620-98J41-000
9.5 meters for control system

MAIN WIRING HARNESS EXTENSION



36620-98J51-000
2.0 meters for control system

14 ENGINE WIRING HARNESS



36621-98J00-000
for Dual Engine

36621-98J10-000
for Triple Engine

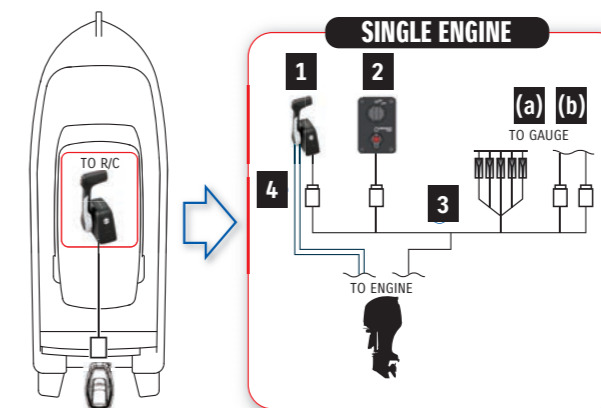
R/C BOX HARNESS EXTENSION



36627-98J00-000
1 meter

REMOTE-CONTROL KIT

SINGLE ENGINE



MECHANICAL REMOTE CONTROL



For SINGLE ENGINE				KIT					Required
				67000-88L03-000	67000-88L25-000	67000-93JN0-000	67000-93J97-000	67000-93JL2-000	SINGLE STATION
PART NUMBER	PART NAME	LENGTH		BINNACLE-MOUNT CONTROL KIT	BINNACLE-MOUNT CONTROL KIT	FLUSH-MOUNT CONTROL KIT	FLUSH-MOUNT CONTROL KIT	SIDE-MOUNT CONTROL KIT	
1	67200-88L01-000 67200-93J34-000 67200-93J61-000	BINNACLE MOUNT R/C BOX FLUSH MOUNT R/C BOX SIDE MOUNT R/C BOX		1	1	-	-	-	1
2	37100-96J27-000	SINGLE IGNITION WITH E/S SWITCH		1	1	1	1	*A	1
3	36620-93J02-000 36620-93J52-000 36620-93J62-000	MAIN WIRING HARNESS	6.5m 5.0m 8.0m	-	1	-	1	1	1
(a)	34200-93J14-000	TACHOMETER (FACE : WHITE)		-	1	-	1	1	
(b)	34800-93J13-000	TRIM GAUGE (FACE : WHITE)		-	1	-	1	1	
4	67320-93J00-000 67320-93J10-000 67320-93J20-000 67320-93J30-000 67320-93J40-000 67320-93J50-000 67320-93J60-000 67320-93J70-000 67320-93J80-000	R/C CABLE (ORT THROTTLE AND SHIFT CABLES)	8ft. / 2.44m 10ft. / 3.05m 12ft. / 3.66m 14ft. / 4.27m 16ft. / 4.88m 18ft. / 5.49m 20ft. / 6.10m 22ft. / 6.71m 24ft. / 7.32m						2
-	36620-93J10-000 36620-93J40-000	MAIN WIRING HARNESS EXTENSION	2m 3m						

- The high-lighted products are optional. Please make your best choice depending on your boat.
- *A The side mount control box is equipped with ignition switch, emergency switch and warning buzzer with clamp.

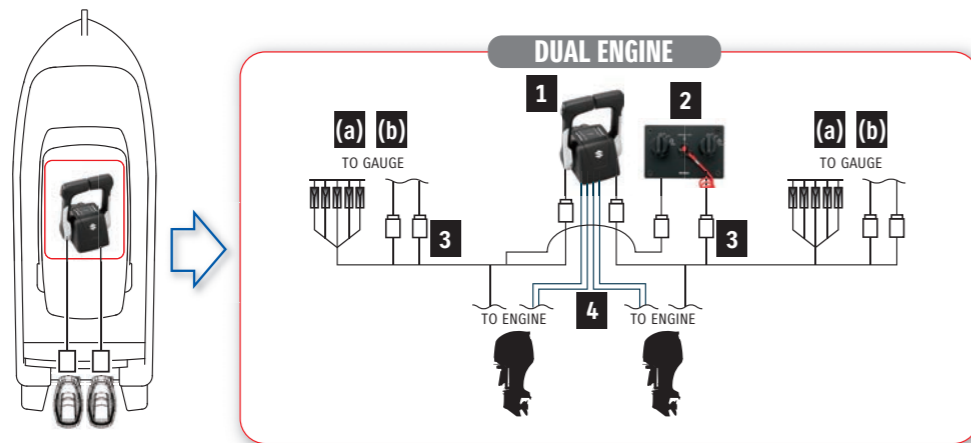
For KEYLESS START SYSTEM

For SINGLE ENGINE				KIT					Required
				67000-88L43-000	67000-88L65-000	67000-93JF4-000	67000-93JK6-000	67000-93JM2-000	SINGLE STATION
PART NUMBER	PART NAME	LENGTH		BINNACLE-MOUNT CONTROL KIT	BINNACLE-MOUNT CONTROL KIT	FLUSH-MOUNT CONTROL KIT	FLUSH-MOUNT CONTROL KIT	SIDE-MOUNT CONTROL KIT	
1	67200-88L01-000 67200-93J34-000 67200-96L11-000	BINNACLE MOUNT R/C BOX FLUSH MOUNT R/C BOX SIDE MOUNT R/C BOX		1	1	-	-	-	1
2	37100-96L12-000	SINGLE IGNITION WITH E/S SWITCH		1	1	1	1	*A	1
3	36620-93J02-000 36620-93J52-000 36620-93J62-000	MAIN WIRING HARNESS	6.5m 5.0m 8.0m	-	1	-	1	1	1
(a)	34200-93J14-000	TACHOMETER (FACE : WHITE)		-	1	-	1	1	
(b)	34800-93J13-000	TRIM GAUGE (FACE : WHITE)		-	1	-	1	1	
4	67320-93J00-000 67320-93J10-000 67320-93J20-000 67320-93J30-000 67320-93J40-000 67320-93J50-000 67320-93J60-000 67320-93J70-000 67320-93J80-000	R/C CABLE (ORT THROTTLE AND SHIFT CABLES)	8ft. / 2.44m 10ft. / 3.05m 12ft. / 3.66m 14ft. / 4.27m 16ft. / 4.88m 18ft. / 5.49m 20ft. / 6.10m 22ft. / 6.71m 24ft. / 7.32m						2
-	36620-93J10-000 36620-93J40-000	MAIN WIRING HARNESS EXTENSION	2m 3m						

- The high-lighted products are optional. Please make your best choice depending on your boat.
- *A The side mount control box is equipped with ignition switch, emergency switch and warning buzzer with clamp.

COMPONENT PARTS

DUAL ENGINE



	For DUAL ENGINE			KIT		Required
	PART NUMBER	PART NAME	LENGTH	67000-88L13-000 BINNACLE-MOUNT CONTROL KIT	67000-88L35-000 BINNACLE-MOUNT CONTROL KIT	
1	67200-88L11-000	BINNACLE MOUNT R/C BOX		1	1	1
2	37100-96J17-000	DUAL IGNITION WITH E/S SWITCH		1	1	1
3	36620-93J02-000	MAIN WIRING HARNESS	6.5m	-	2	2
	36620-93J52-000		5.0m	-	-	
	36620-93J62-000		8.0m	-	-	
(a)	34200-93J14-000	TACHOMETER (FACE : WHITE)		-	2	
(b)	34800-93J13-000	TRIM GAUGE (FACE : WHITE)		-	2	
4	67320-93J00-000	R/C CABLE (ORT THROTTLE AND SHIFT CABLES)	8ft. / 2.44m			4
	67320-93J10-000		10ft. / 3.05m			
	67320-93J20-000		12ft. / 3.66m			
	67320-93J30-000		14ft. / 4.27m			
	67320-93J40-000		16ft. / 4.88m			
	67320-93J50-000		18ft. / 5.49m			
	67320-93J60-000		20ft. / 6.10m			
67320-93J70-000	22ft. / 6.71m					
67320-93J80-000	24ft. / 7.32m					
-	36620-93J10-000	MAIN WIRING HARNESS EXTENSION	2m		1	
-	36620-93J40-000		3m			

■ The high-lighted products are optional. Please make your best choice depending on your boat.

For KEYLESS START SYSTEM

	For DUAL ENGINE			KIT		Required
	PART NUMBER	PART NAME	LENGTH	67000-88L53-000 BINNACLE-MOUNT CONTROL KIT	67000-88L75-000 BINNACLE-MOUNT CONTROL KIT	
1	67200-88L11-000	BINNACLE MOUNT R/C BOX		1	1	1
2	37100-96L22-000	DUAL IGNITION WITH E/S SWITCH		1	1	1
3	36620-93J02-000	MAIN WIRING HARNESS	6.5m	-	2	2
	36620-93J52-000		5.0m	-	-	
	36620-93J62-000		8.0m	-	-	
(a)	34200-93J14-000	TACHOMETER (FACE : WHITE)		-	2	
(b)	34800-93J13-000	TRIM GAUGE (FACE : WHITE)		-	2	
4	67320-93J00-000	R/C CABLE (ORT THROTTLE AND SHIFT CABLES)	8ft. / 2.44m			4
	67320-93J10-000		10ft. / 3.05m			
	67320-93J20-000		12ft. / 3.66m			
	67320-93J30-000		14ft. / 4.27m			
	67320-93J40-000		16ft. / 4.88m			
	67320-93J50-000		18ft. / 5.49m			
	67320-93J60-000		20ft. / 6.10m			
67320-93J70-000	22ft. / 6.71m					
67320-93J80-000	24ft. / 7.32m					
-	36620-93J10-000	MAIN WIRING HARNESS EXTENSION	2m		1	
-	36620-93J40-000		3m			
-	36621-96L00-000	HARNSS ASSY, DUAL KLS ENG		1	1	
-	36663-96L10-000	WIRE COMP, KLS CAN EXT		1	1	
-	36664-96L00-000	HARNSS ASSY, KLS CAN		1	1	

■ The high-lighted products are optional. Please make your best choice depending on your boat.

1 R/C BOX BINNACLE MOUNT R/C BOX



FLUSH MOUNT R/C BOX



SIDE MOUNT R/C BOX



2 SINGLE IGNITION WITH E/S SWITCH



DUAL IGNITION WITH E/S SWITCH



3 MAIN WIRING HARNESS



4 R/C CABLE (ORT THROTTLE AND SHIFT CABLES)



(a) TACHOMETER (FACE : WHITE)



(b) TRIM GAUGE (FACE : WHITE)



	PART NUMBER	PART NAME	LENGTH	NOTE
1	67200-88L01-000	BINNACLE MOUNT R/C BOX	-	for Single Engine
	67200-88L11-000	BINNACLE MOUNT R/C BOX	-	for Dual Engine
	67200-93J34-000	FLUSH MOUNT R/C BOX	-	
	67200-93J61-000	SIDE MOUNT R/C BOX	-	
2	67200-96L11-000	SIDE MOUNT R/C BOX	-	for Keyless Start
	37100-96J27-000	SINGLE IGNITION WITH E/S SWITCH	-	for Single Engine
	37100-96J17-000	DUAL IGNITION WITH E/S SWITCH	-	for Dual Engine
	37100-96L12-000	SINGLE IGNITION WITH E/S SWITCH	-	for Single Engine and Keyless Start
3	37100-96L22-000	DUAL IGNITION WITH E/S SWITCH	-	for Dual Engine and Keyless Start
	36620-93J02-000	MAIN WIRING HARNESS	6.5m	
	36620-93J52-000		5.0m	
36620-93J62-000	8.0m			
4	67320-93J00-000	R/C CABLE (ORT THROTTLE AND SHIFT CABLES)	8ft. / 2.44m	Optional
	67320-93J10-000		10ft. / 3.05m	
	67320-93J20-000		12ft. / 3.66m	
	67320-93J30-000		14ft. / 4.27m	
	67320-93J40-000		16ft. / 4.88m	
	67320-93J50-000		18ft. / 5.49m	
	67320-93J60-000		20ft. / 6.10m	
67320-93J70-000	22ft. / 6.71m			
67320-93J80-000	24ft. / 7.32m			
(a)	34200-93J14-000	TACHOMETER (FACE : WHITE)	-	
(b)	34800-93J13-000	TRIM GAUGE (FACE : WHITE)	-	

COMPONENT OF MECHANICAL REMOTE CONTROL

BINNACLE-MOUNT REMOTE CONTROL BOX



67200-88L01-000
for Single Engine
Applicable Model DF8A-250



67200-88L11-000
for Dual Engine
Applicable Model DF70A-250



67200-93J34-000
for Single Engine
Applicable Model DF8A-250

SIDE-MOUNT REMOTE CONTROL BOX



67200-91J31-000
for Single Engine
Applicable Model DF4A-6A

67200-94J31-000
for Single Engine. With warning buzzer
Applicable Model DF8A-30A

67200-93J61-000
for Single Engine. With PTT switch
Applicable Model DF9.9B-250

67200-96L11-000
for Single Engine. With PTT switch
for Keyless Start System
Applicable Model DF70A-150/175/200A

67200-97E62-000
for Single Engine. With warning buzzer
Applicable Model DT40W

67200-96B2-000
for Single Engine
Applicable Model DT25K/30

SPACER KIT for REMOTE CONTROL BOX



67500-88L00-000
for Single Binnacle-mount type
Applicable Model DF8A-250



67500-88L10-000
for Dual Binnacle-mount type
Applicable Model DF70A-250

BATTERY LEAD



36625-93J10-000
6.7 meters
Applicable Model DF70A-200A/200-250

36625-93J01-000
3.9 meters
Applicable Model DF70A-200A/200-250

FLUSH-MOUNT REMOTE CONTROL BOX

MAIN WIRING HARNESS



36620-93J02-000
6.5 meters for Control system
Applicable Model DF40A-250

36620-94L11-000
5.0 meters for Control system
Applicable Model DF25A/30A

36620-93J52-000
5.0 meters for Control system
Applicable Model DF40A-250

36620-93J62-000
8.0 meters for Control system
Applicable Model DF40A-250

36620-89L00-000
6.5 meters for Control system
Applicable Model DF9.9B/15A/20A

MAIN WIRING HARNESS EXTENSION

36620-93J10-000
2.0 meters for Control system
Applicable Model DF9.9B-250

36620-93J40-000
3.0 meters for Control system
Applicable Model DF9.9B-250

IGNITION SWITCH PANEL



37100-96J01-000
Single ignition
Applicable Model DF9.9B-250



37100-96J27-000
Single ignition with
Emergency stop switch
Applicable Model DF9.9B-250



37100-96J17-000
Dual ignition with
Emergency stop switch
Applicable Model DF70A-250

EMERGENCY SWITCH PANEL



37803-93J06-000
Applicable Model DF9.9B-350A

LIGHTING SWITCH PANEL



37210-93J00-000

PTT SWITCH PANEL



37805-93J00-000
Applicable Model DF40A-250

REMOTE-CONTROL CABLE



GENUINE REMOTE-CONTROL CABLES employ the latest in cable technology. The inner core is encased in nylon, and travels back and forth in a high-density polyethylene liner.

67320-93J00-000
8 feet 2.44 meters
Applicable Model DF4A-250, DT30/40W

67320-93J10-000
10 feet 3.05 meters
Applicable Model DF4A-250, DT30/40W

67320-93J20-000
12 feet 3.66 meters
Applicable Model DF4A-250, DT30/40W

67320-93J30-000
14 feet 4.27 meters
Applicable Model DF4A-250, DT30/40W

67320-93J40-000
16 feet 4.88 meters
Applicable Model DF4A-250, DT30/40W

67320-93J50-000
18 feet 5.49 meters
Applicable Model DF4A-250, DT30/40W

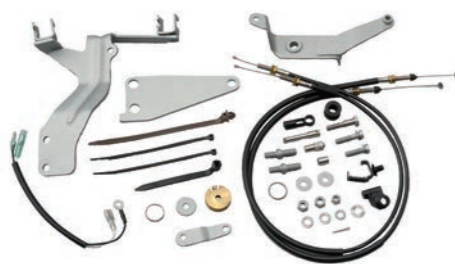
67320-93J60-000
20 feet 6.10 meters
Applicable Model DF4A-250, DT30/40W

67320-93J70-000
22 feet 6.71 meters
Applicable Model DF4A-250, DT30/40W

67320-93J80-000
24 feet 7.32 meters
Applicable Model DF4A-250, DT30/40W

REMOTE-CONTROL ATTACHING KIT

Converts ME model to REMOTE-CONTROL model.



67101-97L00-000
Applicable Model DF4A-6A

67130-89L21-000
Applicable Model DF9.9B/15A/20A

67130-94L03-000
Applicable Model DF25A/30A

67130-94L13-000
Applicable Model DF25ATH/30ATH

67130-99J02-000
CLAMP BRACKET SET (41100-99J00-0EP) is required for installing 67130-99J02-000.
Applicable Model DF8A/9.9A

67130-91L01-YAY
Applicable Model DT25K/30

67130-94812-000
Applicable Model DT40W

TWIN REMOTE-CONTROL ATTACHMENT KIT



67140-95601-000
Applicable Model DF9.9B-30A/100A-250
DT40W

CLAMP BRACKET SET

41100-99JL0-YAY
Applicable Model DF8A/9.9A

EXTRA OPTIONS

TROLL MODE SWITCH PANEL



37860-87L00-000
Applicable Model DF40A-200A/
150AP-300AP/
300B/325A/350A
Activates SUZUKI Troll Mode System and controls RPM from idling engine speed up to 1200rpm at every 50rpm.



SUZUKI TROLL MODE SYSTEM

An optional extra on Remote Control models from over DF40A, this easy-to-use system lets you adjust engine speed in 50rpm increments, giving highly precise control at low revs. With its own tachometer and control switch, it works alongside our multi-function gauges and analogue gauges. (Suzuki Troll Mode System is originally equipped with Tiller Handle models from over DF40A.)

*Not Applicable for DF250/225/200, DF250W, DF150W, DF90AWQH

COUNTER SELECT CONNECTOR

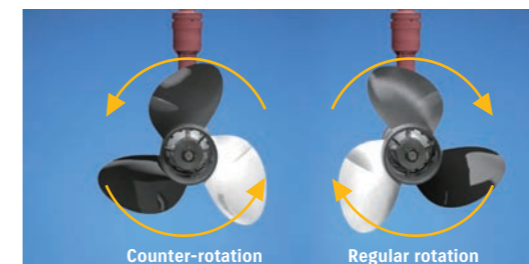


36612-98J20-000
Applicable Model DF150AP/175AP
DF200AP/250AP/300AP
Converts to counter rotation specification.

Suzuki Selective Rotation

In multi-outboard installations on large boats, a counter-rotation outboard is usually paired with a regular rotation model to help keep the boat traveling on an even keel and in a straight line. AP Models are built with special counter rotating gearing in the lower unit, which causes the prop to rotate in the opposite direction. Suzuki Selective Rotation eliminates the need to purchase a dedicated counter-rotation outboard by using a special switch that when connected to a circuit inside of the engine compartment, turns a regular rotation outboard into a counter-rotation model with a counter rotational propeller.* This industry first is made possible through a special, unified design of gears, shaft, and bearings in the lower unit that are designed to operate reliably and efficiently in either regular or counter-rotation directions.

* Make sure you consult with your dealer before changing Regular Rotation to Counter Rotation (or vice versa).



RIGGING TUBE



990C0-20010-000
Applicable Model DF70A-DF350A
*Connect to the hose adapter equipped on the engine



STEERING

TILLER HANDLE KIT



63002-88L28-YAY

Applicable Model
DF40A/50A

63002-88L17-YAY

Applicable Model
DF60A/50AV/60AV

63002-87L17-YAY

Applicable Model
DF70A-90A/100B

63002-90J37-YAY

Applicable Model
DF100A/115A

Main features



Tachometer with warning indicators



Three-position angle adjustable bracket



Troll mode switch
· Activates SUZUKI Troll Mode System and controls RPM from idling engine speed up to 1200rpm at every 50rpm.



Power trim & tilt switch and throttle grip friction adjuster

DUAL-ENGINE TIE-BAR



67600-90J00-000

Stainless steel
Applicable Model DF100A-140A

67600-90L00-000

Stainless steel
Applicable Model DF115BG/140BG

67600-93J00-000

Stainless steel
Applicable Model DF150A-200A/200-250
DF150AP-200AP

STEERING EXTENSION KIT



67630-93J00-000

for installation of DUAL-ENGINE TIE-BAR (67600-93J00-000)

Applicable Model DF150A-200A/200-250

DRAG-LINK KIT



67700-87L01-000

Applicable Model DF70A-90A/100B

67700-93J00-000

Applicable Model DF40A-60A/200-250

67700-96J00-000

Applicable Model DF150A-200A/
150AP-200AP

67701-87J11-000

Applicable Model DF40A-60A/200-250

67701-87L01-000

Applicable Model DF70A-90A/100B

67701-90J01-000

Applicable Model DF100A-140A

67701-96J00-000

Applicable Model DF150A-200A/
150AP-200AP

67701-94420-000

Applicable Model DT25K/30

67701-94L00-000

Applicable Model DF25A/30A

67701-99J02-000

Applicable Model DF8A-DF20A

STEERING-BRACKET ATTACHMENT



43755-87L00-000

Applicable Model DF70A-90A/100B

43755-88L00-000

Applicable Model DF40A-60A

43755-94L00-000

Applicable Model DF25A-30A

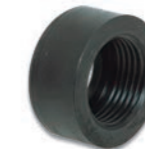
43755-99J00-000

Applicable Model DF8A-20A

43755-96320-000

Applicable Model DT25K/30/40W

STEERING CABLE SEAL



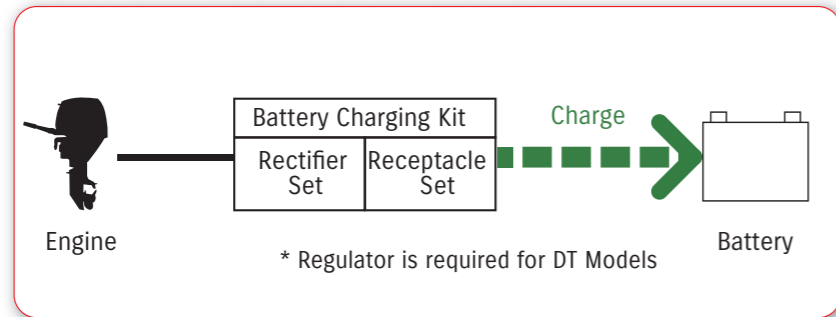
41161-94400-000

Applicable Model DF8A-250, DT25K-40W

ELECTRICAL PARTS

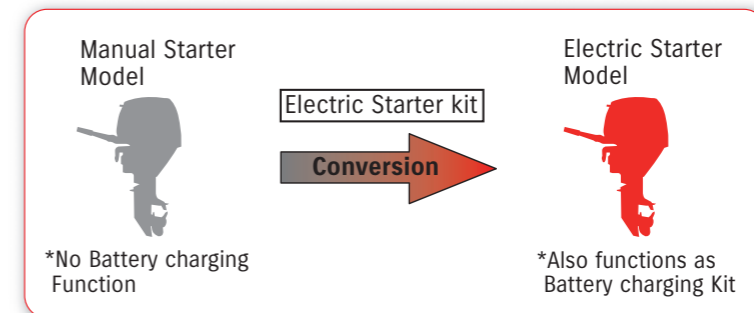
BATTERY CHARGING KIT

- Optional equipment for charging Battery
- Applicable models : DF4A/5A/6A, DF8A/9.9A, DF9.9B/15A/20A, DF25A/30A, DT9.9A/15A, DT25K, DT30, DT40W.



ELECTRIC STARTER KIT

- Optional materials for Converting Manual Starter model into Electric Starter model.
- * Electric Starter Kit functions as Battery charging Kit as well.



DF series

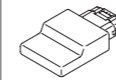
APPLICABLE MODEL	BATTERY CHARGING KIT - RECTIFIER and REGULATOR SET - RECEPTACLE KIT
DF4A/5A/6A	32000-97L03-000 32801-97L01-000 39600-97L02-000
DF8A/9.9A	32000-99J03-000 32801-95J03-000 39600-94J03-000
DF9.9B/15A/20A	32000-89L03-000 32801-89L01-000 39600-89L02-000
DF25A/30A	32000-94L02-000 32800-88L01-000 39600-94L00-000 32815-94L00-000 (BRACKET) 01550-06207-000 (BOLT)

DT series

APPLICABLE MODEL	BATTERY CHARGING KIT			QTY
	RECTIFIER SET	RECEPTACLE SET	REGULATOR	
DT9.9A/15A	32801-93905-000	39600-93912-000	32500-95722-000 REGULATOR ASSY, VOLTAGE	1
			32590-93900-000 STAY, VOLTAGE REGULATOR	1
			02162-06127-000 SCREW, VOLTAGE REGULATOR	2
			08310-00067-000 NUT, VOLTAGE REGULATOR	2
			08321-01067-000 WASHER, VOLTAGE REGULATOR LOCK	2
DT25K/30	32801-96306-000	39600-93912-000	08322-01067-000 WASHER, VOLTAGE REGULATOR	2
			32500-95722-000 REGULATOR ASSY, VOLTAGE	1
			02162-06127-000 SCREW, VOLTAGE REGULATOR	2
DT40W	32801-94403-000	39600-93912-000	08322-01067-000 WASHER, VOLTAGE REGULATOR	2
			02162-06127-000 SCREW, VOLTAGE REGULATOR	2
			08321-01067-000 WASHER	2

DF series

APPLICABLE MODEL	ELECTRIC STARTER KIT
DF4A/5A/6A	-
DF8A/9.9A	31000-99J03-000
DF25A/30A	31000-94L09-000
DF9.9B/15A/20A	31000-89L08-000 (For -17MY) 31000-89L21-000 (For 18MY-)



DT series

APPLICABLE MODEL	ELECTRIC STARTER	QTY	REGULATOR	
			REGULATOR	QTY
DT9.9A/15A	-	-	32500-95722-000 REGULATOR ASSY, VOLTAGE	1
			32590-93900-000 STAY, VOLTAGE REGULATOR	1
			02162-06127-000 SCREW, VOLTAGE REGULATOR	2
			08310-00067-000 NUT, VOLTAGE REGULATOR	2
			08321-01067-000 WASHER, VOLTAGE REGULATOR LOCK	2
DT30	31101-96320-0EP MOTOR SET, STARTING 32102-96462-000 FLYWHEEL COMP, MAGNETO 32801-96306-000 RECTIFIER SET 33800-96308-000 SET, STARTING CABLE & SWITCH 33815-94501-000 PROTECTOR, STARTER CABLE 01550-06167-000 BOLT, CABLE PROTECTOR	1 1 1 1 1	32500-95722-000 REGULATOR ASSY, VOLTAGE	1
			02162-06127-000 SCREW, VOLTAGE REGULATOR	2
			08322-01067-000 WASHER, VOLTAGE REGULATOR	2
			32500-95722-000 REGULATOR ASSY, VOLTAGE	1
			02162-06127-000 SCREW, VOLTAGE REGULATOR	2
DT40W	36740-93901-000 CASE ASSY, FUSE 31101-94403-000 MOTOR SET, STARTING 32102-92L00-000 FLYWHEEL COMP, MAGNETO 32801-94403-000 RECTIFIER SET 33800-94437-000 SET, STARTING CABLE & SWITCH	1 1 1 1 1	32500-95722-000 REGULATOR ASSY, VOLTAGE	1
			02162-06127-000 SCREW, VOLTAGE REGULATOR	2
			08321-01067-000 WASHER	2

BATTERY CHARGING KIT



ELECTRIC STARTER KIT



BATTERY ISOLATOR LEAD SET

Optional equipment for charging additional battery.

33830-98J11-000

Applicable Model DF150A-200A/
150AP-300AP/
325A/350A

FUEL SYSTEM

FUEL TANK

NOTE : These tanks do not meet US-EPA requirements.



65000-99100-000

12-liter plastic tank with no fuel-level gauge

Applicable Model DT9.9AK/25K/40WK(-K:For Gasoline)

65000-94L10-000

25-liter plastic tank with a fuel-level gauge

Applicable Model DF8A-140A, DT9.9AK-40W/WR (-K:For kerosene)

65000-89L10-000

12-liter plastic tank

Applicable Model DF4A-20A

REPLACEMENT FUEL CAP

NOTE : This caps do not meet US-EPA requirements.

65520-99100-000

Applicable Model DF5A-20A, DT9.9-40W

FUEL-HOSE SOCKET



65750-98506-000

Metal, Inner diameter: 11.2 mm

Applicable Model DT9.9AK/25K/40WK



65750-87J11-000

Plastic, Inner diameter: 6.6 mm

Applicable Model DF4A/8A-30A



65750-95501-000

Metal, Inner diameter: 13.0 mm

Applicable Model DF8A/R-140A, DT9.9AK-25K/40WK

FUEL CONNECTOR (ENGINE SIDE)



65720-986B0-000

Plastic

Applicable Model DF4A

FUEL CONNECTOR (TANK SIDE)



65740-95D01-000

Outer diameter: 13 mm, 1/4"NPT

Applicable Model DF8A/R-140A, DT9.9K-40W/WR/WK

SQUEEZE PUMP



65770-99J03-000

Small-in & Large-out

Applicable Model DF5A-6A, DT9.9AK/15AK/40WK

65770-90J13-000

Large-in & Large-out

Applicable Model DF8A-20A/40A-140A, DT9.9AK/15AK/40WK

65770-93J13-000

Large-in & Large-out

Applicable Model DF150-350A

65770-87DL0-000

Large-in & Small-out

Applicable Model DT9.9A-40W

SQUEEZE PUMP

(Meets US-EPA requirements.)

65770-94J04-000

Small-in & Large-out

Applicable Model DF6A

65770-90J04-000

Large-in & Large-out

Applicable Model DF8A-140A

65770-93J04-000

Large-in & Large-out

Applicable Model DF150A-350A

FUEL-HOSE

09352-73123-00D

I/D 7.3 , O/D 12.5

LENGTH 4,000mm

Not US-EPA compatible

FUEL-HOSE COMPONENT



65700-87J19-000

for 25-liter plastic tank to engine

Applicable Model DF8A-20A

65700-90J18-000

for 25-liter plastic tank to engine

Applicable Model DF40A-60A

65700-90J24-000

for 25-liter plastic tank to engine

Applicable Model DF70A-140A

65700-93J14-000

for fuel tank to engine

Applicable Model DF150-350A

65700-87DL2-000

for 25-liter plastic tank to engine

Applicable Model DT9.9A-40W

65700-95D08-000

for 12-liter plastic tank to engine (gasoline)

Applicable Model DT9.9AK/15AK/25K/40WK

65700-96364-000

for 25-liter plastic tank to engine (kerosene)

Applicable Model DT9.9AK/15AK/40WK

65700-94440-000

with fuel filter (gasoline)

Applicable Model DT9.9AK/15AK/40WK

65700-94434-000

with fuel filter (kerosene)

Applicable Model DT9.9AK/15AK

Only for P36 ver.

FUEL-HOSE COMPONENT

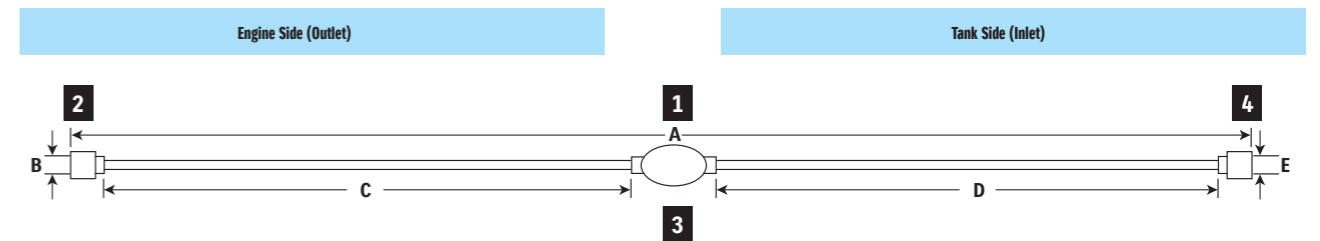
(Meets US-EPA requirements.)

65700-87J28-000

Applicable Model DF5A-30A

65700-88L06-000

Applicable Model DF40A-60A



FUEL-HOSE COMPONENT Chart



1 FUEL HOSE COMPONENT	2 SOCKET		HOSE			3 SQUEEZE PUMP	HOSE			4 SOCKET						
	Part Number	A Length (mm)	Material	B I/D (mm)	Part Number		C Length (mm)	I/D (mm)	O/D (mm)	D Length (mm)	I/D (mm)	O/D (mm)	Material	E I/D (mm)	Part Number	
65700-87J19-000	1970	Plastic	6.6	65750-87J11-000	700	-	7.3	12.5	65770-90J13-000	1100	-	7.3	12.5	Metal	13.0	65750-95501-000
65700-90J18-000	1250	(no socket)	-	-	(no hose)	-	-	-	65770-90J13-000	1100	-	7.3	12.5	Metal	13.0	65750-95501-000
65700-90J24-000	1250	(no socket)	-	-	(no hose)	-	-	-	65770-90J13-000	1100	-	7.3	12.5	Metal	13.0	65750-95501-000
65700-93J14-000	2370	(no socket)	-	-	(no hose)	-	-	-	65770-93J13-000	2250	Large	9.0	14.0	(no socket)	-	-
65700-87DL2-000	2550	Metal	11.2	65750-98506-000	300	Small	5.3	10.5	65770-87DL0-000	2090	Large	7.3	12.5	Metal	13.0	65750-95501-000
65700-95D08-000	2550	Metal	13.0	65750-95501-000	300	-	7.3	12.5	65770-99J03-000	2090	-	5.3	10.5	Metal	11.2	65750-98506-000
65700-96364-000	2620	Metal	11.2	65750-98506-000	300	-	5.3	10.5	-	2250	-	7.3	12.5	Metal	13.0	65750-95501-000
65700-94440-000	3100	Metal	13.0	65750-95501-000	300	-	7.3	12.5	65770-90J13-000	2600	-	7.3	12.5	-	-	-
65700-94434-000	3100	Plastic	13.8	65750-94404-000	3000	-	7.3	12.5	-	-	-	-	-	-	-	-
65700-87J28-000	2000	Plastic	6.6	65750-87J11-000	700	-	7.3	12.5	65770-90J03-000	1100	-	7.3	12.5	Metal	13.0	65750-95501-000
65700-88L06-000	1280	(no socket)	-	-	(no hose)	-	-	-	65770-90J03-000	1100	-	7.3	12.5	Metal	13.0	65750-95501-000

NEW!

WATER SEPARATOR / FUEL FILTER



65900-98J10-000

Applicable Model DF5A-DF140A, DT9.9A-DT40

65900-98J20-000

Applicable Model DF150A-DF350A

WATER SEPARATOR/FUEL FILTER ELEMENT SET



65910-98J01-000

Applicable Model DF5A-DF350A, DT9.9A-DT40



SUZUKI PROPELLERS

WATERGRIP

*This picture was taken remotely

WATERGRIP



The WATERGRIP series will be the new standard for Suzuki propellers. The new interchangeable and square shaped bush system is designed not only to be replaced easily and quickly when required, but also to accurately and efficiently convert power from the engine to thrust through the propeller.

As a result, you will be able to enjoy more time having the ultimate experience on the water rather than waiting for repairs on the land.

WATERGRIP DUAL



Our new flagship models, the DF350A, DF325A and DF300B, introduced the Suzuki Dual Prop System, an industry-leading technology that is truly a revolution in innovation. Big engines demand more efficient conversion of engine output into propulsion.

With two contra-rotating propellers operating simultaneously, the conversion efficiency becomes greater as does stability, grip and manoeuvrability. The end-result is that the Suzuki Dual Prop System delivers outstanding and exciting performance.

WATERGRIP SPORT



In addition to ease of maintenance and efficiency of power conversion, the WATERGRIP SPORT propellers feature a high rake blade design, which delivers excellent acceleration and exceptional top speed. These propellers are ideal for lightweight sports boats as they give remarkably stable thrust when turning which results in superior manoeuvrability and lots of fun boating.



Model	Type	Material	Blade	Diameter		Pitch		Rotation*	Part number
				in	(mm)	in	(mm)		
DF150	Watergrip	Stainless	3	16	(406.4)	15	(381)	RR	58700-93L80-000
DF150AP	Watergrip	Stainless	3	16	(406.4)	17	(431.8)	RR	58700-93L00-000
DF175	Watergrip	Stainless	3	16	(406.4)	18 1/2	(469.9)	RR	58700-93L10-000
DF175AP	Watergrip	Stainless	3	16	(406.4)	20	(508)	RR	58700-93L20-000
DF200	Watergrip	Stainless	3	16	(406.4)	21 1/2	(546.1)	RR	58700-93L30-000
DF200A	Watergrip	Stainless	3	16	(406.4)	23	(584.2)	RR	58700-93L40-000
DF200AP	Watergrip	Stainless	3	16	(406.4)	24 1/2	(622.3)	RR	58700-93L50-000
DF225	Watergrip	Stainless	3	16	(406.4)	26	(660.4)	RR	58700-93L60-000
DF250	Watergrip	Stainless	3	16	(406.4)	27 1/2	(698.5)	RR	58700-93L70-000
DF250AP	Watergrip	Stainless	3	16	(406.4)	17	(431.8)	CR	58800-93L00-000
DF300AP	Watergrip	Stainless	3	16	(406.4)	18 1/2	(469.9)	CR	58800-93L10-000
	Watergrip	Stainless	3	16	(406.4)	20	(508)	CR	58800-93L20-000
	Watergrip	Stainless	3	16	(406.4)	21 1/2	(546.1)	CR	58800-93L30-000
	Watergrip	Stainless	3	16	(406.4)	23	(584.2)	CR	58800-93L40-000
	Watergrip	Stainless	3	16	(406.4)	24 1/2	(622.3)	CR	58800-93L50-000
	Watergrip	Stainless	3	16	(406.4)	26	(660.4)	CR	58800-93L60-000
	Watergrip	Stainless	3	15 1/2	(393.7)	17	(431.8)	RR	58700-96J00-000
	Watergrip	Stainless	3	15 1/4	(387.4)	19	(482.6)	RR	58700-96J10-000
	Watergrip	Stainless	3	15	(381)	21	(533.4)	RR	58700-96J20-000
	Watergrip	Stainless	3	14 3/4	(374.7)	23	(584.2)	RR	58700-96J30-000
	Watergrip	Stainless	3	14 1/2	(368.3)	25	(635)	RR	58700-96J40-000
	Watergrip	Stainless	3	14 1/2	(368.3)	27	(685.8)	RR	58700-96J50-000
	Watergrip	Stainless	3	15 1/2	(393.7)	17	(431.8)	CR	58800-96J00-000
	Watergrip	Stainless	3	15 1/4	(387.4)	19	(482.6)	CR	58800-96J10-000
	Watergrip	Stainless	3	15	(381)	21	(533.4)	CR	58800-96J20-000
	Watergrip	Stainless	3	14 3/4	(374.7)	23	(584.2)	CR	58800-96J30-000
	Watergrip	Stainless	3	14 1/2	(368.3)	25	(635)	CR	58800-96J40-000
	Watergrip	Stainless	3	14 1/2	(368.3)	27	(685.8)	CR	58800-96J50-000
	Watergrip	Stainless	4	15 1/4	(387.4)	18	(457.2)	RR	58700-93J00-000
	Watergrip	Stainless	4	15 1/4	(387.4)	20	(508)	RR	58700-93J10-000
	Watergrip	Stainless	4	15 1/4	(387.4)	22	(558.8)	RR	58700-93J20-000
	Watergrip	Stainless	4	15 1/4	(387.4)	24	(609.6)	RR	58700-93J30-000
	Watergrip	Stainless	4	15 1/4	(387.4)	26	(660.4)	RR	58700-93J40-000
	Watergrip	Stainless	4	15 1/4	(387.4)	20	(508)	CR	58800-93J10-000
	Watergrip	Stainless	4	15 1/4	(387.4)	22	(558.8)	CR	58800-93J20-000
	Watergrip	Stainless	4	15 1/4	(387.4)	24	(609.6)	CR	58800-93J30-000
	Watergrip	Stainless	4	15 1/4	(387.4)	26	(660.4)	CR	58800-93J40-000
	Watergrip Sport	Stainless	3	15	(381)	19	(482.6)	RR	58700-96L00-000
	Watergrip Sport	Stainless	3	14 7/8	(377.8)	21	(533.4)	RR	58700-96L10-000
	Watergrip Sport	Stainless	3	14 1/2	(368.3)	23	(584.2)	RR	58700-96L20-000
	Watergrip Sport	Stainless	3	14 1/4	(362)	25	(635)	RR	58700-96L30-000
	Watergrip Sport	Stainless	3	14	(355.6)	27	(685.8)	RR	58700-96L40-000

* Be sure to install both front and rear propellers in the same pitch.

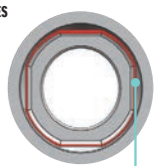
Model	Type	Material	Blade	Diameter		Pitch		Part number
				in	(mm)	in	(mm)	
DF300B	Watergrip Dual	Stainless	3	15 1/2	(393.7)	12	(304.8)	58500-98LA0-000 (Front)
DF325A								58600-98LA0-000 (Rear)
DF350A	Watergrip Dual	Stainless	3	15 1/2	(393.7)	15	(381)	58500-98LB0-000 (Front)
								58600-98LB0-000 (Rear)
	Watergrip Dual	Stainless	3	15 1/2	(393.7)	16 1/2	(419.1)	58500-98LC0-000 (Front)
								58600-98LC1-000 (Rear)
	Watergrip Dual	Stainless	3	15 1/2	(393.7)	18	(457.2)	58500-98L90-000 (Front)
								58600-98L91-000 (Rear)
	Watergrip Dual	Stainless	3	15 1/2	(393.7)	19 1/2	(495.3)	58500-98L60-000 (Front)
								58600-98L61-000 (Rear)
	Watergrip Dual	Stainless	3	15 1/2	(393.7)	21	(533.4)	58500-98L00-000 (Front)
								58600-98L01-000 (Rear)
	Watergrip Dual	Stainless	3	15 1/2	(393.7)	22 1/2	(571.5)	58500-98L10-000 (Front)
								58600-98L11-000 (Rear)
	Watergrip Dual	Stainless	3	15 1/2	(393.7)	24	(609.6)	58500-98L20-000 (Front)
								58600-98L21-000 (Rear)
	Watergrip Dual	Stainless	3	15 1/2	(393.7)	25 1/2	(647.7)	58500-98L30-000 (Front)
								58600-98L30-000 (Rear)
	Watergrip Dual	Stainless	3	15 1/2	(393.7)	27	(685.8)	58500-98L40-000 (Front)
								58600-98L40-000 (Rear)
	Watergrip Dual	Stainless	3	15 1/2	(393.7)	28 1/2	(723.9)	58500-98L50-000 (Front)
								58600-98L50-000 (Rear)
	Watergrip Dual	Stainless	3	15 1/2	(393.7)	30	(762)	58500-98L70-000 (Front)
								58600-98L70-000 (Rear)
	Watergrip Dual	Stainless	3	15 1/2	(393.7)	31 1/2	(800.1)	58500-98L80-000 (Front)
								58600-98L81-000 (Rear)

THE NEW WATERGRIP RANGE

WATERGRIP is a new stainless-steel propeller series offering accurate response to your operation. With efficient conversion of engine power into propulsion, this propeller series meets our customers' demand for bigger, faster, more powerful outboards.

The WATERGRIP propeller series employs a new interchangeable and square shaped propeller bush that minimises power loss in delivery.

PROPELLER BUSH ADVANTAGES



Better resistance over propeller slip
Interchangeable bush

MAINTAINING YOUR SUZUKI



THE **ULTIMATE**
OUTBOARD MOTOR

ECSTAR V7000

ECSTAR V7000 is a premium oil that has not only exceeded all standards set by the NMMA but more importantly has been designed specifically for Suzuki marine engines. ECSTAR is FC-W equivalent and uses a high quality low sulfur content based oil that reduces ash build-up for increased durability and the high viscosity index is a major contributor to maximising fuel efficiency.

ECSTAR V7000 SEMI SYNTHETIC MARINE ENGINE OIL

- Help to protect engines in severe conditions.
- Contribute to improve engine response.
- Viscosity index improvers help engine start easily.
- Advanced detergents keep engine parts clean.
- Special additives help protect engine in both salt and fresh water environments.

*The oil supplied by Suzuki Motor Corporation (Japan) and Thai Suzuki Motor is "Equivalent to FC-W standard".



Thai Suzuki Motor Products
Plastic bottle with a cap



99000-21EA2-047
ECSTAR V7000 10W-40 4L

99000-21EA2-017
ECSTAR V7000 10W-40 1L

Suzuki Motor Corporation (Japan) Products
Metal can with a cap

ECSTAR V5000

Premium oil that has been designed especially for Suzuki marine engines does not only end with ECSTAR V7000. To meet your demand, we have set ECSTAR V5000. High quality based oil gives your four stroke outboard engine an outstanding performance for wear protection, viscosity stability, low volatility and excellent protection against rust and corrosion.

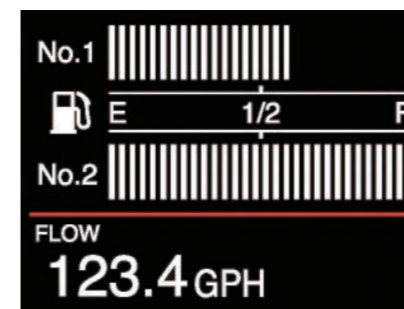
- ECSTAR 5000 is formulated with special additives and high quality base oil.
- Help to protect engines against corrosion.
- Contribute to wear protection viscosity stability and low volatility.



Thai Suzuki Motor Products
Plastic bottle with a cap

* Availability may differ in some regions. Please contact Thai Suzuki Motor Co, Ltd. or Suzuki Motor Corporation (Japan) for more information and making an order.

ADVANTAGE OF ECSTAR



Fuel Savings

The Genuine Formulation provide the high performance and help to improve fuel economy.



Outstanding Engine Protection

The innovative lubricating technology achieves thermal stability, which contribute to the ultimate engine protection even when starting engine in cold climates.



Clean Engine for Longer Life

Cleaning performance helps to prolong the engine life.

CARE & MAINTENANCE ITEM

SUZUKI GENUINE OIL



2-STROKE ENGINE OIL "PREMIUM"

1 liter
Plastic bottle with a cap
* Availability may differ in some regions.
Please contact Thai Suzuki Motor Co, Ltd. for more information and making an order.



2-STROKE ENGINE OIL CCIS SUPER OIL

99000-21740-006
1 liter
Metal can with a cap & nozzle



GEAR OIL

ECSTAR OBM GEAR OIL SAE90 API GL-5
Plastic tube with a cap & an attachment nozzle
99000-22B48-000
400ml
99000-22B55-000
800ml



LIQUID GASKET



93691-80030-000
SILICONE SEAL KE45T
100 grams



99000-31140-000
1207B (BLACK)
100 grams (3.5 oz)

THREAD LOCK



99000-32020-000
1333B (RED)
50 grams (1.7 oz)



99000-32160-000
1342H (BLUE)
50 grams (1.7 oz)

FLUSHING TOOL FOR DF325A/350A



99000-81202-000
FLUSHING TOOL
Applicable Model DF325A/350A

FLUSH-HOSE ATTACHMENT



55181-95200-000
Applicable Model DF4A-6A/40A-60A, DT25K-40W



17917-87L00-000
Applicable Model DF8A-350A

SUZUKI MARINE by MOTUL (Suzuki Approved)



4-STROKE ENGINE OIL
SAE 10W-30 Semi-Synthetic
5 liter, FC-W



4-STROKE ENGINE OIL
SAE 10W-40 Semi-Synthetic
5 liter, FC-W



4-STROKE ENGINE OIL (10W-40)
SAE 10W-40 Mineral
1 liter



2-STROKE ENGINE OIL (TC-W3)
High Performance 2T Engine Oil
1 liter, TC-W3



GEAR OIL
SAE 90, API GL-5
0.35 liter

* 4 kinds (1L, 5L, 60L, 208L) of Engine oil volume and 3 kinds (0.35L, 1L, 208L) of Gear oil are available. Please ask your local MOTUL dealer.

ZINC ANODE for saltwater



55300-95500-000
Applicable Model DF8A/9.9A/40A-60A, DT9.9AK-40W



55321-90J01-000
Applicable Model DF50AV/60AV/100A-140A



55321-87J11-000
Applicable Model DF4A-350A, DT9.9A/15A



55321-94910-000
Applicable Model DF70A-350A

ALUMINUM ANODE for brackish water, saltwater



55321-87J01-000
Applicable Model DF2.5-350A, DT9.9AK-40W



55320-94900-000
Applicable Model DF60A-350A



55321-95J00-000
Applicable Model DF2.5, DF4A-6A

55321-93J01-000
Applicable Model DF70A-100A/100B/DF150-350A

Anode Bulk Pack

55321-87810-B50
Applicable Model DF2.5-300AP, DT9.9AK/15AK
50pcs in one package

GREASE



99000-25480-000
SUPER GREASE-A
450 grams (15.8 oz) for Crank oil seal



99000-25350-000
WATER RESISTANT GREASE EP2
250 grams (8.8 oz)



99000-25140-000
MOLY PASTE
50 grams (1.7 oz)



99000-22810-000
Metal can with a cap
1 liter

PTT FLUID

ENGINE COVER



99000-81700-000
Applicable Model DF8A-20A, DT9.9A-15A

99000-81710-000
Applicable Model DF25-60A, DT25/30

99000-81720-000
Applicable Model DF70A-140A, DT40

99000-81730-000
Applicable Model DF115BG/140BG, DF200T/Z-250T/Z

99000-81740-000
Applicable Model DF150A-200A/175AP/200AP/250AP/300AP

99000-81750-000
Applicable Model DF300B/325A/350A

Recommended STEERING SYSTEM supplied by



www.seastarsolutions.com

Order taking, delivery, technical support and warranty for these products are handled by SeaStar Solutions. Please consult to local SeaStar Solutions distributor or dealer if you need more detail for product information, price, availability and all business terms.

STEERING KIT

BAYSTAR



BAYSTAR OUTBOARD SYSTEM - HK4200A-3	
System comprises:	
BayStar Helm 1.4cu" (22.94cc)	HH4314-3
BayStar Compact Cylinder	HC4645-3*
20ft (6096mm) "cut to length" tubing kit	HT4420H
2 x litre SeaStar hydraulic oil	HA5430

*Note: 115-140hp (85.8kw-104.4kw) four stroke 2001 to current model require HC4658H.

BAYSTAR PLUS



BAYSTAR PLUS OUTBOARD SYSTEM - HK4500A-3	
System comprises:	
BayStar Plus Helm 1.4cu" (22.94cc)	HH4514-3
BayStar Compact Cylinder	HC4645-3*
2 x litre SeaStar hydraulic oil	HA5430

*Note: 115-140hp (85.8kw-104.4kw) four stroke 2001 to current model require HC4658H.

SEASTAR



SEASTAR OUTBOARD SYSTEM - HK6400-3	
System comprises:	
SeaStar Helm 1.7cu" (27.80cc)	HH5271-3
SeaStar Pivot Cylinder	HC5345-3*
2 x litre SeaStar hydraulic oil	HA5430

*Note: 115-140hp (85.8kw-104.4kw) 1996 only requires HC5348, 40-140hp (29.8kw-104.4kw) four stroke 1998 to current model and 90hp (67.1kw) four stroke 2003 to current model require HC5358.

SEASTAR TOURNAMENT SERIES

Extreme heavy duty cylinders and tie bars designed for primarily high performance multiple engine applications. Also available for single engine applications. This heavy duty universal cylinder features reversible bolt on stainless steel tie bar plates that are suitable for use with all SeaStar Helms and SeaStar Power Assist.



SEASTAR TOURNAMENT CYLINDER

Part No.	Description
HC6845	Outboard Tournament Series Cylinder, Front Mount
HC6845S	Outboard Tournament Series Cylinder, Front Mount, c/w Single Engine Hardware Kit

OPTIMUS EPS

A Higher Level Of Engineering Sophistication

The Optimus EPS system replaces the traditional hydraulic steering system. For single, twin, triple and quad engine applications.

Advantages of Optimus EPS

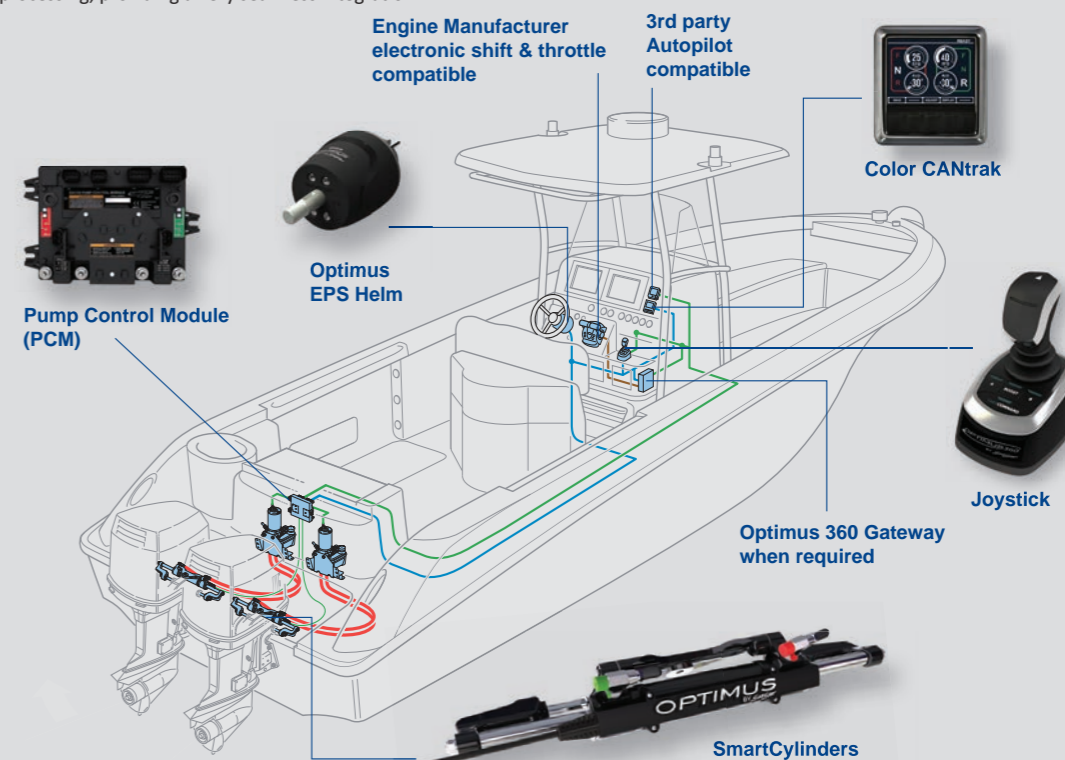
- No oil at helm
- Boat that steers like a sports car
- Plug and play autopilot compatibility
- No auto pilot pump or rudder feedback unit
- Auto adjusting speed sensitive wheel effort
- Auto adjusting speed sensitive turns lock to lock

- Can be retrofitted to existing mechanical and electronic controlled engines. You do not have to buy new engines
- No tie-bars (twin configuration)
- No liquid tie-bar (CAT)
- On demand pumps which extend battery life
- Components based on existing SeaStar reliability and quality
- NMEA 2000 Certified



OPTIMUS 360

The patented Optimus 360 system builds on the Optimus EPS. Optimus 360 steering/shift/throttle control system is engineered for powerboats with electronic shift and throttle engines, allowing you to use the existing electronic controls. Optimus 360 connects to the existing control head with closed loop processing, providing a very seamless integration.



Optimus EPS + Joystick = Optimus 360 Joystick Control

Advantages of Optimus 360

- Intuitive high precision Joystick docking with confidence
- Seamless integration with electronic controlled engines
- Autopilot ready - just a simple connection
- Dual station compatible

- Tiebar engines (triple & quad) – less components, simple installation, less cost
- Available as a retrofit or for new engine installation
- All the benefits of Optimus EPS, including auto adjusting steering effort and steering turns lock to lock
- Supports twin, triple and quad Suzuki Precision Control Engines

SEASTAR



SEASTAR POWER ASSIST

SEASTAR OUTBOARD POWER ASSIST SYSTEM	
System comprises:	
SeaStar Helm 1.7cu" (27.80cc)	HH5271-3
SeaStar Pivot Cylinder	HC5345-3*
2 x litre SeaStar hydraulic oil	HA5430
SeaStar 12v Power Assist Unit	PA1200-2

*Note: 2 x SeaStar hose kits must be ordered separately

*For further application information please refer to www.seastarsolutions.com

	75 HP (55.9kw)	115 HP (85.8kw)	150 HP (111.8kw)	200 HP (149.1kw)	250 HP (186.4kw)	300 HP (223.7kw)	350 HP+ (260.9kw)
BAYSTAR	OPTIMUM						
BAYSTAR PLUS	OPTIMUM						
SEASTAR OUTBOARD SYSTEM	OPTIMUM						
SEASTAR TOURNAMENT	OPTIMUM						
SEASTAR POWER ASSIST OUTBOARD SYSTEM	OPTIMUM						

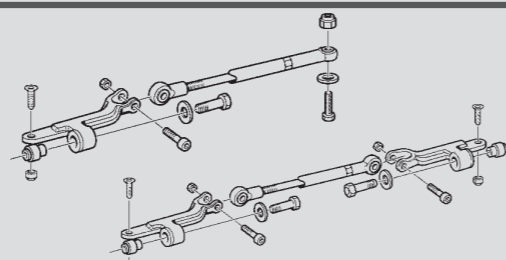
As specialists in the art of steering, SeaStar Solutions take the recommendation of steering systems very seriously especially as modern outboard engines become more powerful. Unlike other steering manufacturers we prefer to make systems recommendations based on "optimum comfort"

TIE-BAR KIT

Features

General purpose system. Single and multiple engine capability. Total power up to 700 HP (521.9kw) *counter-rotating.

Independent engine tilt for twin engine Easy steering. 5 turns lock to lock steering response.



Applications

Twin Engine Application for Suzuki Outboard Motors

MODEL (4-CYCLE)	CYLINDER	TIE BAR KITS		NOTES
		TWIN ENGINE SINGLE CYL.	TWIN ENGINE DUAL CYL.	
DF40A/50A/60A	HC5358-3	HO6003	HO6002	Requires kit HO5090
DF70A/80A/90A	HC5358-3	HO6003	HO6002	Requires kit HO5090
DF100	HC5358-3	HO6003	HO6002	Requires kit HO5090
DF115/140	HC5358-3	HO6003	HO6002	Requires kit HO5090
DF150/175	HC5345-3	HO6003	HO6002	
DF200/225/250	HC5345-3	HO6003	HO6002	
DF300	HC5345-3	HO6003	HO6002	

Triple Engine Configuration for Suzuki Outboard Motors

MODEL (4-CYCLE)	CYLINDER	TIE BAR KITS		NOTES
		PORT ENGINE TO DRIVE CYL.	STARBOARD ENGINE TO DRIVE CYL.	
DF150/175	HC5345-3	HO6003	HO6002	See notice
DF200/225/250	HC5345-3	HO6003	HO6002	See notice
DF300	HC5345-3	HO6003	HO6002	See notice



Holds Position & Heading Via GPS

When you are trying to locate that ideal spot over a reef or a wreck, SeaStation is ideal. Just hold your position and heading, drop your lines and see if you have success, if not, simply move to another location and engage SeaStation. No physical anchor required.

SeaStar Solutions has applied the same smart algorithms to SeaStation as you have experienced with Optimus 360 joystick control to reduce unnecessary shifting and jockeying of the engines while providing superior position and heading functions for a large selection of engine platforms.

Captains have told us that we can't have the jarring from the engines shifting and unnecessary movement as it does not sound good and also could impact the fishing outcome. We took this input seriously and we are confident SeaStation will be a fishing enabler.



Easy add-on
to your
Optimus 360
boat.

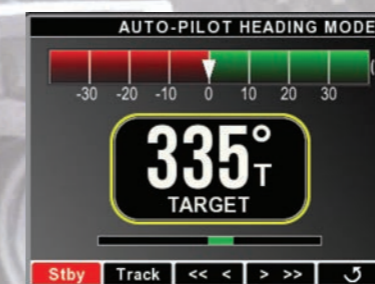


Set Your Destination and Go!

SeaWays autopilot is a simple enhancement (update) to the Optimus 360 system using the CANtrak display and can use the same heading and position sensor as SeaStation.

Features

- SeaWays will be included with SeaStation and is accessible using the CANtrak display that is part of the Optimus 360 system
- The display image is simple, making it easy to engage one of the 3 modes and understand what the boat is doing
- Track mode will compensate for wind and current keeping the boat on course
- Uses GPS-compass technology
- Heading not affected by boat roll and pitch
- Always provides true north
- Now you have SeaStation (GPS anchor) and Autopilot all in one System from SeaStar



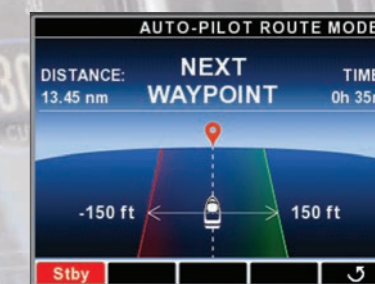
HEADING MODE

Autopilot holds a desired heading. Boat may drift with wind and current.



TRACK MODE

Autopilot holds a desired course over ground. Boat heading may be changed by the autopilot to hold the desired course.



ROUTE MODE

Autopilot follows waypoints provided by third party chart plotter. Boat heading will be changed by the autopilot to follow the waypoints.

OVERRIDE

Autopilot is temporarily disabled when the helm is turned. The autopilot re-engages automatically when the helm is no longer turned and the boat heading is stable. When the autopilot re-engages, the current heading becomes the new desired heading.